



## FDV SPEC SHEET

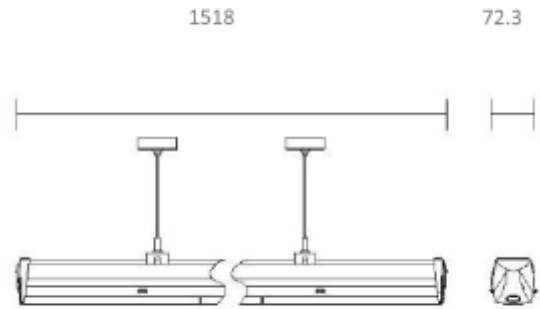
Trunk

Art. no: CFL-1550-40DS-08-3



Lighting Solutions

Unit: mm



# Trunk



Art. no: CFL-1550-40DS-08-

### LIGHT TECHNICAL

Lightsource Type:	LED (built in)
Lumen Output:	7895
Lumen LED (tc=25):	8500
Beam Angle:	Double Asymmetric
CCT (Color Temperature):	4000
CRI / Ra:	80
Color Code:	840
Lens (Diffuser):	Clear

### MOUNTING / CONNECTION

Connection:	Trunk 8-wires
Mounting:	Suspended, Ceiling

### ELECTRICAL DATA

System Power [W]:	50
System Voltage [V]:	230V 50Hz
Protection Class:	1
Max load pr circuit - B10:	11
Max load pr circuit - B16:	18
Max load pr circuit - C10:	18
Max load pr circuit - C16:	30
Leakage current [mA]:	0,45
Inrush current I <sub>max</sub> [A]:	28
Inrush current time [µs]:	280
Current Output [mA]:	70
Voltage Forward Min [V]:	2,8
Voltage Forward Max [V]:	3,3



## FDV SPEC SHEET

Trunk

Art. no: CFL-1550-40DS-08-3



*Lighting Solutions*

### PRODUCT

Ingress Protection:	IP20
Lifetime [h]:	L80B50: 100 000
Color:	White
RAL:	RAL9016
Length [mm]:	1500
Height [mm]:	78,6
Width [mm]:	72,3
Weight [kg]:	1,64