



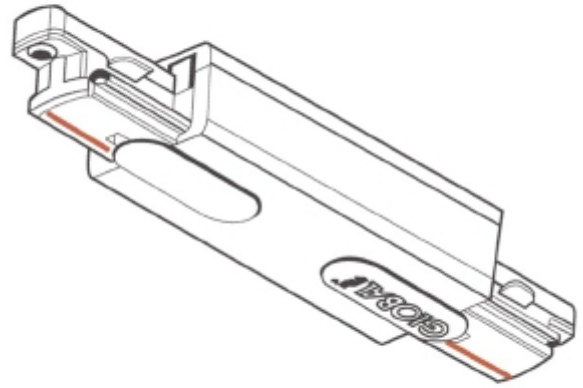
FDV SPEC SHEET

Global Middle feed 1-circuit BK

Art. no: GB14-2



Lighting Solutions



Global Middle feed 1-circuit BK

Art. no: GB14-2