



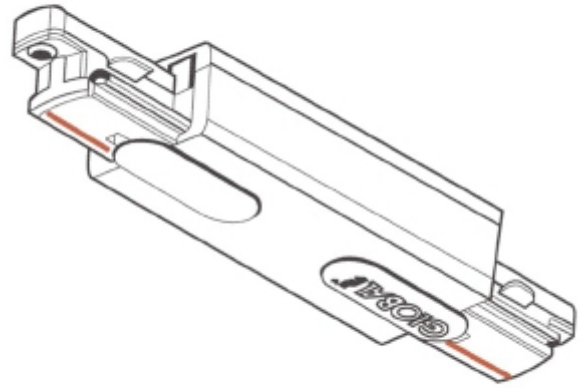
FDV SPEC SHEET

Global Middle feed 1-circuit WH

Art. no: GB14-3



Lighting Solutions



Global Middle feed 1-circuit WH

Art. no: GB14-3