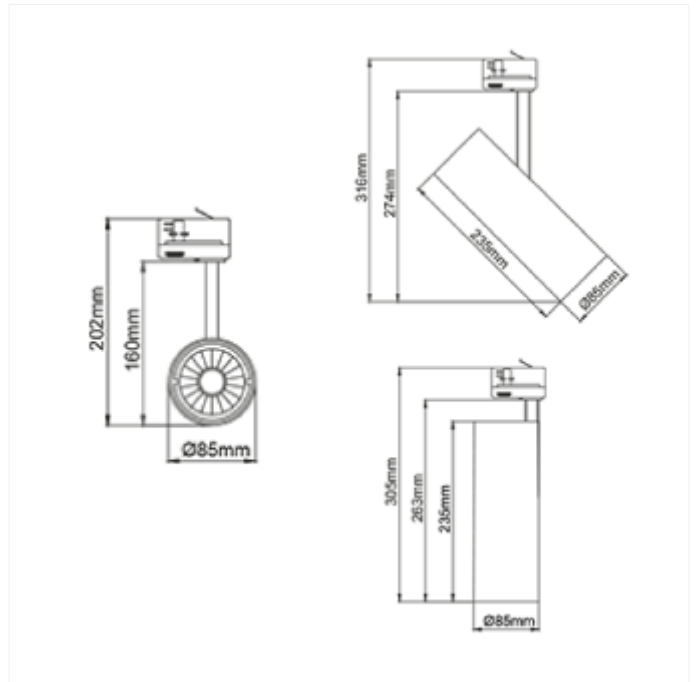




PRODUCT FAMILY SHEET

Silindir Maxi



Silindir Maxi

Silindir Maxi is the most powerful spotlight in the Silindir-series. With 28W, high light output and CRI it is very suitable for stores and showrooms. The spotlight can be adjusted in all angles to meet every need. Tilttable 90° and 350° rotatable around its own axis. L305mm - Ø85mm

VERSIONS

Art.No	Effect [W]	Cold Lumen [lm]	Lumen Output [lm]	CCT [K]	Beam Angle [°]	Lens Difuser	CRI [>]	Color	Light Control	Connection
1005-7-40-2	27	3550		3000	30°	Clear	90	Black	None	Track 3-Circuit
1005-7-40-2-d dd	27	3550		3000	40°	Clear	90	White	DALI	Track 3-Circuit+dim
1005-7-40-3	27	3550		3000	40°	Clear	90	White	None	Track 3-Circuit
1005-7-40-3-d dd	27	3550		3000	30°	Clear	90	White	DALI	Track 3-Circuit+dim
1159-7-30-2	27	3350		2700	30°	Clear	90	Black	None	Track 3-Circuit
1005-6-20-3-d dd	28	3400	2773	3000	20	Clear	90	White	DALI	Track 3-Circuit+dim
1119-6-20-5	28	3750	3396	3000	20	Clear	80		None	Track 3-Circuit
1119-6-30-5	28	3750	3300	3000	30	Clear	80		None	Track 3-Circuit
1005-6-30-2	28	3400	2836	3000	30	Clear	90	Black	None	Track 3-Circuit
1005-6-20-3	28	3400	2773	3000	20	Clear	90	White	None	Track 3-Circuit
1005-6-20-2	28	3400	2773	3000	20	Clear	90	Black	None	Track 3-Circuit
1005-6-30-3	28	3400	2836	3000	30	Clear	90	White	None	Track 3-Circuit