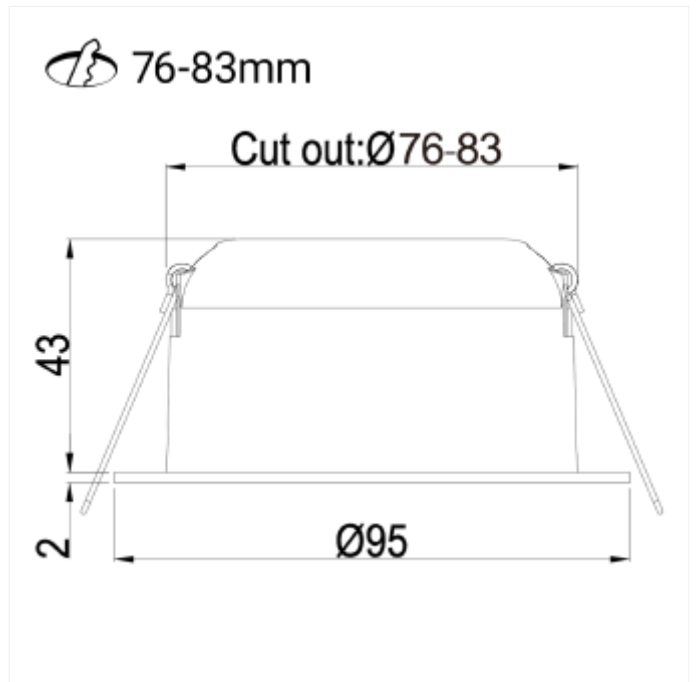




PRODUCT FAMILY SHEET

Tigrus Tiltable



Tigrus Tiltable

Tigrus Tiltable can be mounted directly in insulation. Tigrus has CRI>95 and is delivered with 2700K or Dim2Warm. The downlight can be tilted 25°. Easy to connect without using a screwdriver. Cut-out 76-83mm.

VERSIONS

Art.No	Effect [W]	Cold Lumen [lm]	Lumen Output [lm]	CCT [K]	Beam Angle [°]	Lens Difuser	CRI [>]	Color	Light Control	Connection
24930-36-2	7	550	530	3000	36°	Clear	95	Black	Phase-Cut	QuickConnect
24927-36-2	7	550	519	2700	36°	Clear	95	Black	Phase-Cut	QuickConnect
24930-36-3	7	550	530	3000	36°	Clear	95	White	Phase-Cut	QuickConnect
24927-36-3	7	550	519	2700	36°	Clear	95	White	Phase-Cut	QuickConnect