

ART. NO.

102511-2-00-1
102511-2-01-1
102512-2-00-1
102512-2-01-1
102516-2-00-1
102516-2-01-1

102517-2-00-1
102517-2-01-1
102517-2-NW-01-1
102517-2-00-1-ddd
102518-2-01-1



C Line

INSTALLATION MANUAL



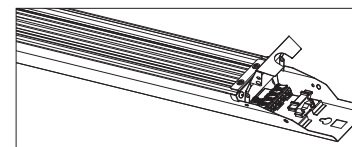
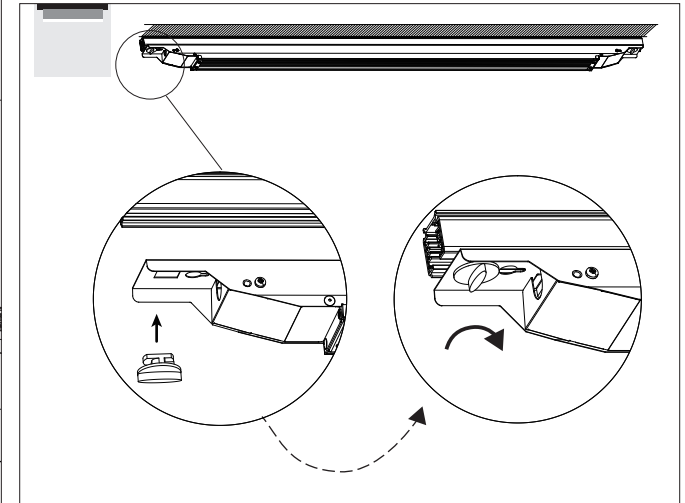
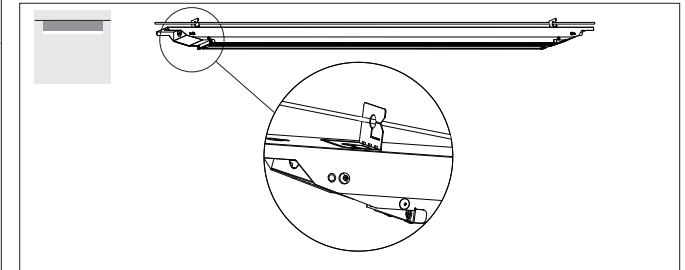
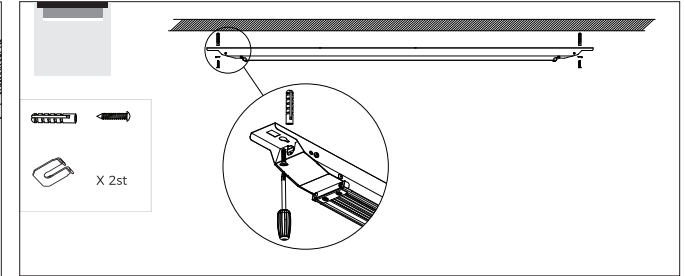
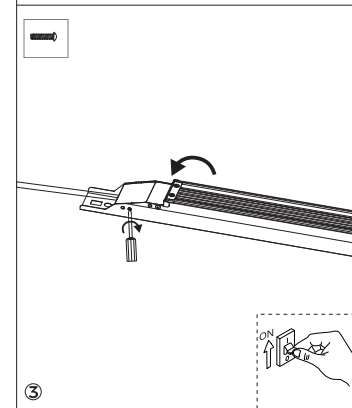
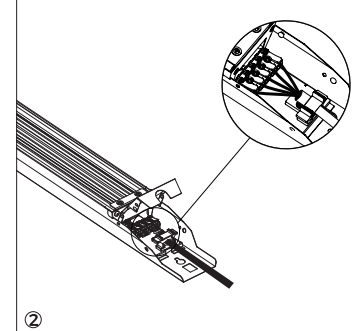
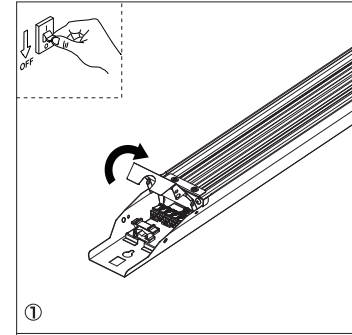
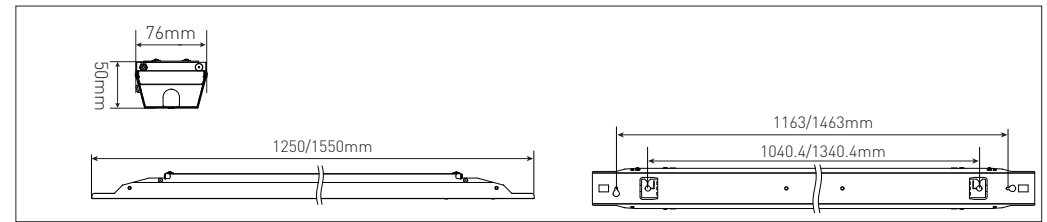
⚠ Safety Notes:

- The product must be installed, maintained, and operated as instructions below.
- Before starting installation of this product, make sure power supply is disconnected.
- Only to be installed by authorized electrician.
- Do not use abrasives or solvents when cleaning.
- Do not install the product if it appears damaged in any way. Check with manufacturer if in doubt.
- Do not modify this fitting in any matter as this will void warranty.
- Check protection class, if class I, it must be earthed.
- Disconnect power supply before maintenance or cleaning.

⚠ Sikkerhetsinformasjon:

- Følg installasjonsmanual for korrekt montering.
- Koble alltid fra strømmen før montering eller vedlikehold.
- Kan kun monteres av autorisert elektriker.
- Monter ikke produktet hvis det er synlig skade. Kontakt forhandler eller produsent.
- Bruk ikke løsemidler ved rengjøring
- Produktet skal ikke under noen omstendigheter endres eller modifiseres.
- Sjekk produktets isolasjonsklasse. Ved isolasjonsklasse I skal produktet jordes.

Imported by Norlux AS | Borgeskogen 32, 3160 Stokke, Norway | norlux.com



5 wires	DALI	EMERGENCY
 L2 L1 E N L3	 DA DA E N L	 L2 L1 E N L3
1-2.5mm ²		Reserve "L2" Live "L1" Earth "E" Neutral "N" Emergency "L3"

Circuit breakers

	B10	B16	C10	C16
60W	11	18	18	29
100W	6	9	9	15

Linkable qty (2.5mm² wire through)

Input Voltage	NX	NX
230VAC	20(60W)	12(100W)

Louver accessory

⚙️ X 4st

Grid accessory

⚙️ X 4st

A

X 2st

B

C

Lens exchange

A

B

C

Caution: for prismatic diffuser, put smooth side in, frosted side out.

	CCT	EET
< 100W	4000/5000K	B
Other	3000/4000/ 5000/6500K	C

Replaceable (LED only) light source by a professional.

Replaceable control gear by a professional.

This product is a light source with an energy efficiency level of less than 100W. (4000K, 5000K)
Other light sources with wattage energy efficiency levels <C> in this product. (3000K, 4000K, 5000K, 6000K)



Replacement steps :

- Unscrew the screws on both sides, and open the cover;
- Loosen the 4*20 screw until the lens can be completely pulled out;
- Disconnect the DC cable;
- Remove the protective coil and the nylon rivets on the PCB board, and then pull out the PCB board;
- Replace the LED module or power supply accordingly.

Replace LED module

Replace the driver

A

B

C-D-E