



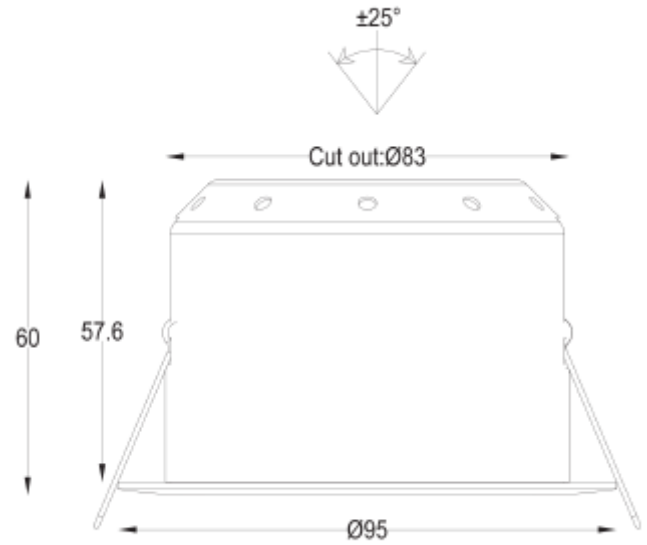
## FDV SPEC SHEET

Anza

Art. no: 102380-36-2-p



*Lighting Solutions*



## Anza



Art. no: 102380-36-2-p

### LIGHT TECHNICAL

Lightsource Type:	LED (built in)
Lumen Output:	550
Lumen LED (tc=25):	850
Beam Angle:	36°
CCT (Color Temperature):	2700
CRI / Ra:	90
Color Code:	927
MacAdam (SDCM):	3
Lens (Diffuser):	Clear



## FDV SPEC SHEET

Anza

Art. no: 102380-36-2-p



### MOUNTING / CONNECTION

Connection:	QuickConnect
Cut-out [mm]:	83mm
Mounting:	Recessed, Ceiling

### PRODUCT

To be recessed in insulation:	Yes, recessed in insulation
Ingress Protection:	IP20
Impact Protection:	IK02
Operating Temperature [°C]:	-20 - 45
Lifetime [h]:	L80B10: 100 000
Color:	Black
RAL:	RAL9005
Height [mm]:	58
Width [mm]:	95
Diameter [mm]:	95
Weight [kg]:	0,41
Housing Material :	Aluminium
Housing Material :	Aluminium

### ELECTRICAL DATA

UGR (<=):	19
Dimming:	Phase-Cut
Dimming Phasecut Type:	Leading / Trailing edge
Flickerfree:	Yes
System Power [W]:	8
System Voltage [V]:	230V 50Hz
Protection Class:	2
Max load pr circuit - B10:	35
Max load pr circuit - B16:	56
Max load pr circuit - C10:	74
Max load pr circuit - C16:	118
Leakage current [mA]:	5
Inrush current I <sub>max</sub> [A]:	5
Inrush current time [µs]:	300
Socket / Cap-Base:	N/A
Current Output [mA]:	180
Voltage Forward Min [V]:	32
Voltage Forward Max [V]:	38
Emergency light [h]:	No Emergency light
Dimming Phasecut Type:	Leading / Trailing edge