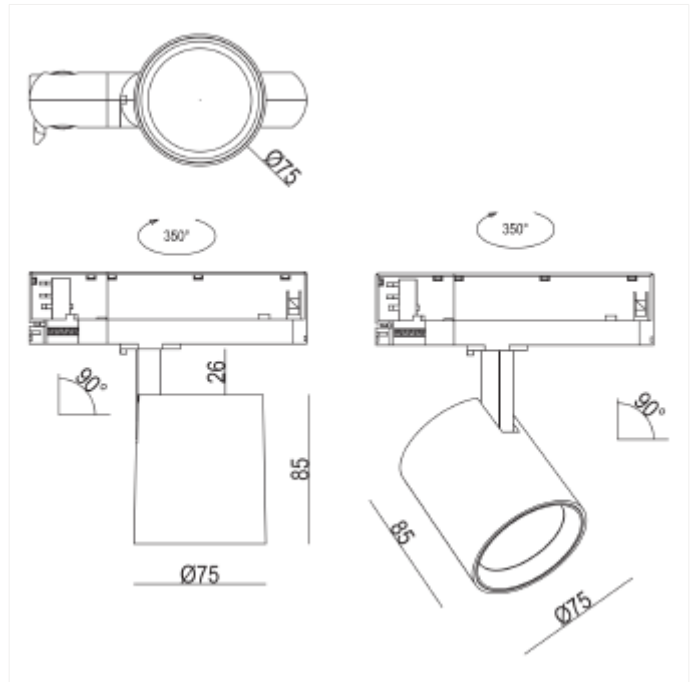




PRODUCT FAMILY SHEET

Rod Mini C



Rod Mini C

VERSIONS

Art.No	Effect [W]	Cold Lumen [lm]	Lumen Output [lm]	CCT [K]	Beam Angle [°]	Lens Difuser	CRI [>]	Color	Light Control	Connection
102531-20-2	15	2189	1800	3000	20	Clear	90	Black	None	Track 3-Circuit
102530-36-2	15	2145	1750	2700	36	Clear	90	Black	None	Track 3-Circuit
102531-36-2	15	2189	1800	3000	36	Clear	90	Black	None	Track 3-Circuit
102530-36-3	15	2145	1750	2700	36	Clear	90	White	None	Track 3-Circuit
102531-20-3	15	2189	1800	3000	20	Clear	90	White	None	Track 3-Circuit
102531-36-3	15	2189	1800	3000	36	Clear	90	White	None	Track 3-Circuit