

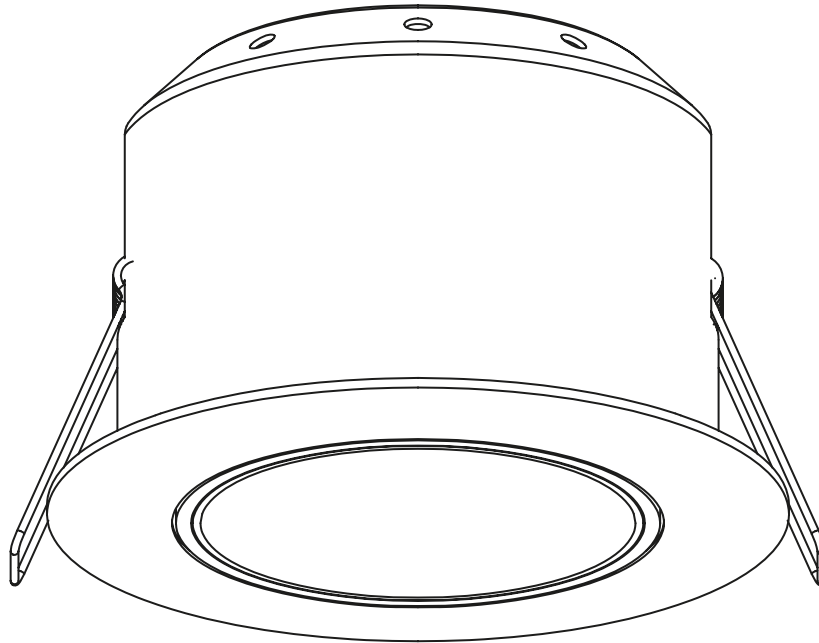
ART. NO.

102380-36-2-p

102380-36-3-p

Ledpro
by NORLUX

83mm



Anza

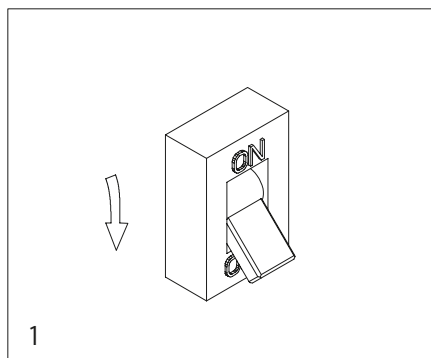
INSTALLATION MANUAL

**⚠ Safety Notes:**

- The product must be installed, maintained, and operated as instructions below.
- Before starting installation of this product, make sure power supply is disconnected.
- Only to be installed by authorized electrician.
- Do not use abrasives or solvents when cleaning.
- Do not install the product if it appears damaged in any way. Check with manufacturer if in doubt.
- Do not modify this fitting in any matter as this will void warranty.
- Check protection class, if class I, it must be earthed.
- Disconnect power supply before maintenance or cleaning.

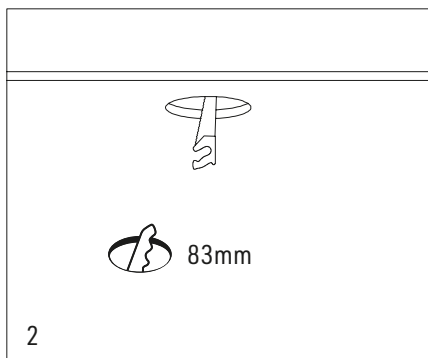
⚠ Sikkerhetsinformasjon:

- Følg installasjonsmanual for korrekt montering.
- Koble alltid fra strømmen før montering eller vedlikehold.
- Kan kun monteres av autorisert elektriker.
- Monter ikke produktet hvis det er synlig skade. Kontakt forhandler eller produsent.
- Bruk ikke løsemidler ved rengjøring
- Produktet skal ikke under noen omstendigheter endres eller modifiseres.
- Sjekk produktets isolasjonsklasse. Ved isolasjonsklasse I skal produktet jordes.



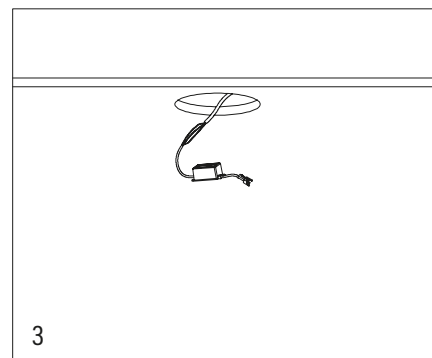
1

Cut off the power supply before start.



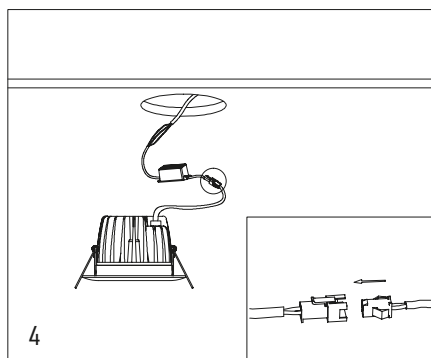
2

Cut out a hole in the ceiling at a certain diameter given in the box label.



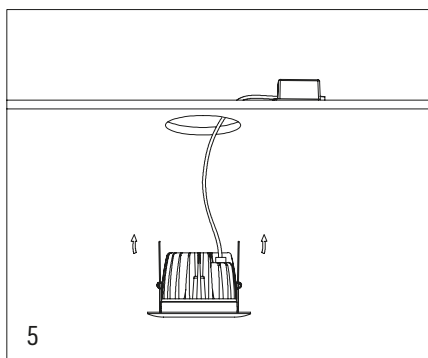
3

Connect the line of 220V-240V to the AC input of the driver.



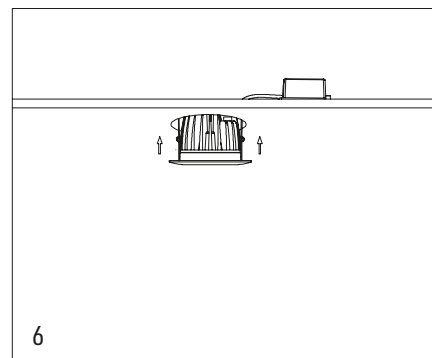
4

Connect the light to the driver via the plug.



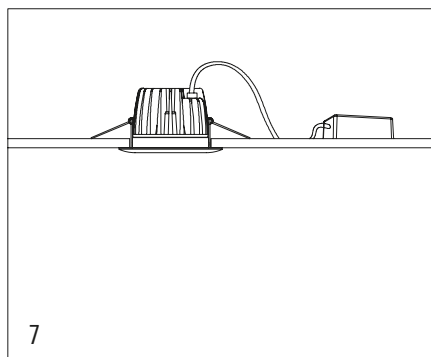
5

Put the driver onto the ceiling, then pull the springs into vertical state.



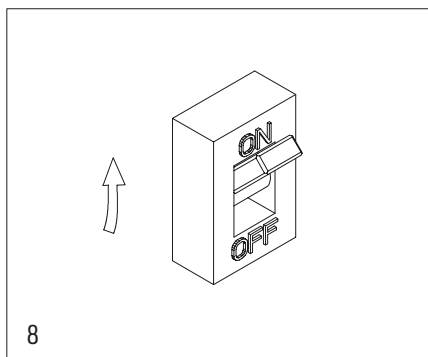
6

Insert the springs as well as the lamp.



7

Release the springs, it will lock the lamp on the ceiling.



8

Turn on the power supply.

HOW TO CHANGE THE ANTI GLARE RING

