



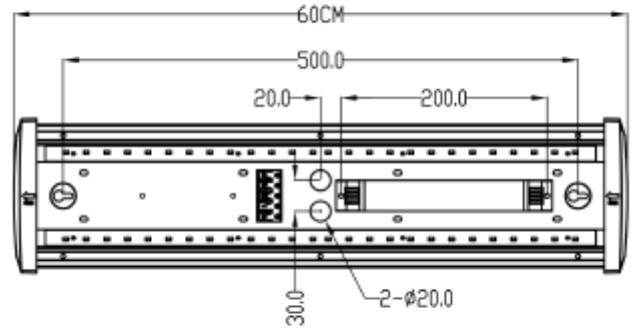
FDV SPEC SHEET

Universal IP44

Art. no: 8070-105-3



Lighting Solutions



Universal IP44



Art. no: 8070-105-3

LIGHT TECHNICAL

Lightsource Type:	LED (built in)
Lumen Output:	1782
Lumen LED (tc=25):	2000
Beam Angle:	105°
CCT (Color Temperature):	3000
CRI / Ra:	80
Color Code:	830
MacAdam (SDCM):	3
Lens (Diffuser):	PMMA Opal

MOUNTING / CONNECTION

Connection:	QuickConnect
Mounting:	Surface, Ceiling

ELECTRICAL DATA

Dimming:	None
System Power [W]:	16
System Voltage [V]:	230V 50Hz
Protection Class:	1
Max load pr circuit - B10:	45
Max load pr circuit - B16:	72
Max load pr circuit - C10:	70
Max load pr circuit - C16:	112
Inrush current I _{max} [A]:	11,6
Inrush current time [µs]:	220
Socket / Cap-Base:	N/A



FDV SPEC SHEET

Universal IP44

Art. no: 8070-105-3



Lighting Solutions

PRODUCT

Ingress Protection:	IP44
Operating Temperature [°C]:	-20 - 25
Lifetime [h]:	L80B10: 100 000
Color:	White
Length [mm]:	600
Height [mm]:	50
Width [mm]:	160
Weight [kg]:	1,4