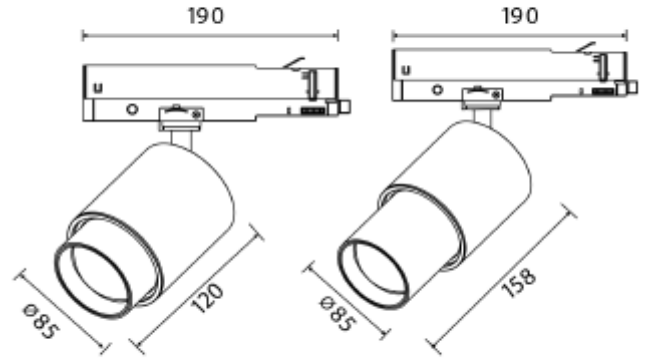




FDV SPEC SHEET
Zoom Spotlight
Art. no: 101142-660-2-ddd



Zoom Spotlight



Art. no: 101142-660-2-ddd

LIGHT TECHNICAL

| | |
|--------------------------|----------------|
| Lightsource Type: | LED (built in) |
| Lumen LED (tc=25): | 1850 |
| Beam Angle: | 6-60 |
| CCT (Color Temperature): | 3000 |
| CRI / Ra: | 90 |
| Color Code: | 930 |
| MacAdam (SDCM): | 3 |
| Lens (Diffuser): | Clear |

MOUNTING / CONNECTION

| | |
|-------------|---------------------|
| Connection: | Track 3-Circuit+dim |
| Mounting: | Track |

ELECTRICAL DATA

| | |
|--------------------------------------|----------------------|
| Dimming: | DALI2 |
| Flickerfree: | Yes |
| Flicker metric (Pst LM) <: | 1 |
| Stroboscopic effect metric (SVM) < | 0,4 |
| System Power [W]: | 20 |
| System Voltage [V]: | 230V 50Hz |
| Dimming Output Type: | Amplitude Modulation |
| Protection Class: | 1 |
| Max load pr circuit - B10: | 26 |
| Max load pr circuit - B16: | 42 |
| Max load pr circuit - C10: | 45 |
| Max load pr circuit - C16: | 71 |
| Inrush current I _{max} [A]: | 35 |
| Inrush current time [μs]: | 80 |
| Socket / Cap-Base: | N/A |
| Current Output [mA]: | 500 |
| Voltage Forward Min [V]: | 35 |
| Voltage Forward Max [V]: | 40 |



FDV SPEC SHEET

Zoom Spotlight

Art. no: 101142-660-2-ddd



Lighting Solutions

PRODUCT

| | |
|---------------------|-----------------|
| Ingress Protection: | IP20 |
| Lifetime [h]: | L80B10: 100 000 |
| Color: | Black |
| RAL: | RAL9005 |
| Length [mm]: | 158 |
| Diameter [mm]: | 85 |
| Weight [kg]: | 1 |
| Housing Material : | Aluminium |