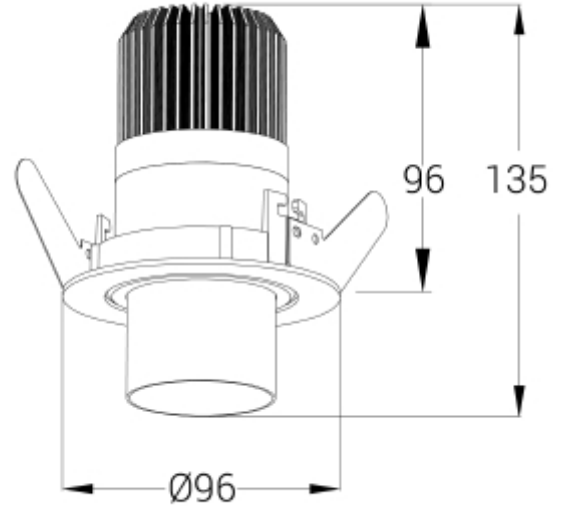
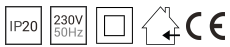




FDV SPEC SHEET
Zoom Recessed COB
Art. no: 1014-560-2-ddd



Zoom Recessed COB



Art. no: 1014-560-2-ddd

LIGHT TECHNICAL

Lightsource Type:	LED (built in)
Lumen LED (tc=25):	1300
Beam Angle:	5-60°
CCT (Color Temperature):	3000
CRI / Ra:	90
Color Code:	930
MacAdam (SDCM):	3
Lens (Diffuser):	Clear

MOUNTING / CONNECTION

Connection:	18i5 DALI Quick connection
Cut-out [mm]:	Ø81
Mounting:	Recessed, Partial-recessed

PRODUCT

To be recessed in insulation:	No
Ingress Protection:	IP20
Color:	Black
Height [mm]:	96
Width [mm]:	60

ELECTRICAL DATA

Dimming:	DALI2
Dimming Phasecut Type:	Leading / Trailing edge
System Power [W]:	15
System Voltage [V]:	230V 50Hz
Protection Class:	2
Max load pr circuit - B10:	50
Max load pr circuit - B16:	80
Max load pr circuit - C10:	50
Max load pr circuit - C16:	80
Inrush current time [µs]:	40
Voltage Forward Min [V]:	34,2
Voltage Forward Max [V]:	37,7