



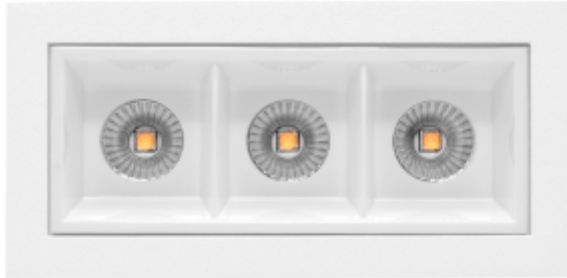
## FDV SPEC SHEET

Cold 3

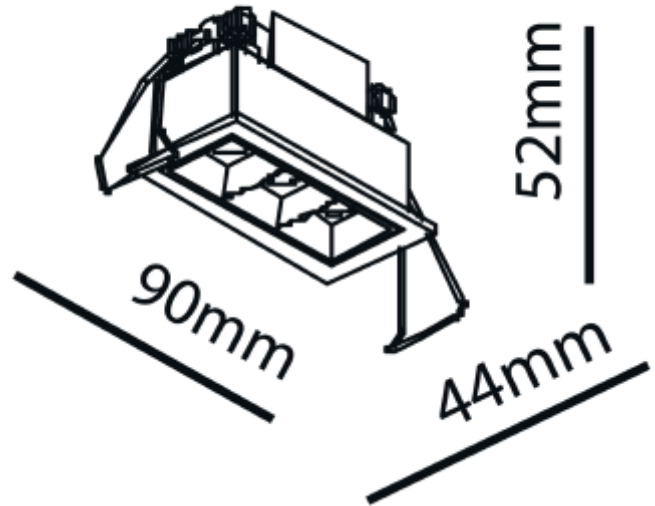
Art. no: 1116-30-3

# NORLUX®

Lighting Solutions



83x36mm



## Cold 3



A<sup>++</sup>

Art. no: 1116-30-3

### LIGHT TECHNICAL

Lightsource Type:	LED (built in)
Lumen Output:	500
Lumen LED (tc=25):	650
Beam Angle:	30°
CCT (Color Temperature):	2700
CRI / Ra:	90
Color Code:	927
MacAdam (SDCM):	2
Lens (Diffuser):	None

### MOUNTING / CONNECTION

Connection:	Depending on driver
Cut-out [mm]:	83x36
Mounting:	Recessed, Ceiling

### ELECTRICAL DATA

Dimming:	Depending on Driver
System Power [W]:	6
System Voltage [V]:	230V 50Hz
Protection Class:	3
Socket / Cap-Base:	N/A
Current Output [mA]:	700
Voltage Forward Max [V]:	9



## FDV SPEC SHEET

Cold 3

Art. no: 1116-30-3



*Lighting Solutions*

### PRODUCT

To be recessed in insulation:	No
Ingress Protection:	IP20
Lifetime [h]:	L80B10: 50.000
Color:	White
Length [mm]:	90
Height [mm]:	52
Width [mm]:	44
Weight [kg]:	0,16
Housing Material :	Aluminium
Material 2:	Mechanical installed part(Steel