

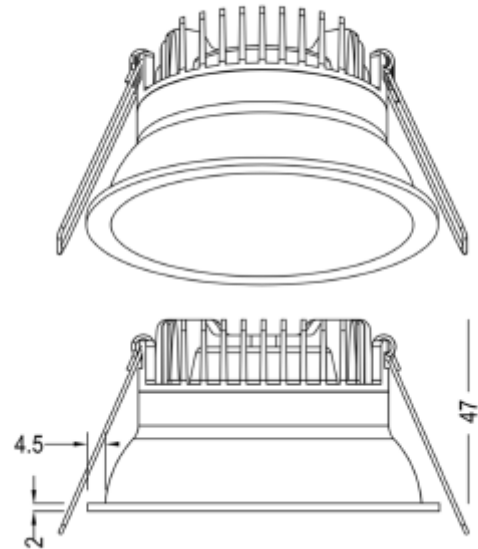


FDV SPEC SHEET

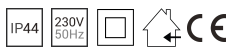
Ceto Mini Fixed
Art. no: 21927-18-3



83mm



Ceto Mini Fixed



Art. no: 21927-18-3

LIGHT TECHNICAL

Lightsource Type:	LED (built in)
Lumen Output:	562
Lumen LED (tc=25):	600
Beam Angle:	18°
CCT (Color Temperature):	2700
CRI / Ra:	95
Color Code:	927
MacAdam (SDCM):	3
Lens (Diffuser):	Clear

MOUNTING / CONNECTION

Connection:	QuickConnect
Cut-out [mm]:	Ø83
Mounting:	Recessed, Ceiling

ELECTRICAL DATA

Dimming:	Phase-Cut
Dimming Phasecut Type:	Leading / Trailing edge
Flickerfree:	Yes
Flicker metric (Pst LM) <:	1
Stroboscopic effect metric (SVM) <:	0,4
System Power [W]:	8
System Voltage [V]:	230V 50Hz
Protection Class:	2
Max load pr circuit - B10:	35
Max load pr circuit - B16:	56
Max load pr circuit - C10:	74
Max load pr circuit - C16:	118
Leakage current [mA]:	5
Inrush current I _{max} [A]:	5
Inrush current time [µs]:	300
Socket / Cap-Base:	N/A
Current Output [mA]:	350
Voltage Forward Min [V]:	33
Voltage Forward Max [V]:	38



FDV SPEC SHEET

Ceto Mini Fixed

Art. no: 21927-18-3



Lighting Solutions

PRODUCT

To be recessed in insulation:	No
Ingress Protection:	IP44
Impact Protection:	IK02
Operating Temperature [°C]:	-20 - 45
Lifetime [h]:	L80B10: 50.000
Color:	White
Height [mm]:	48
Width [mm]:	90
Diameter [mm]:	90
Housing Material :	Aluminium
Diffuser Material:	Aluminium
Material 2:	Polycarbonate