




FDV SPEC SHEET

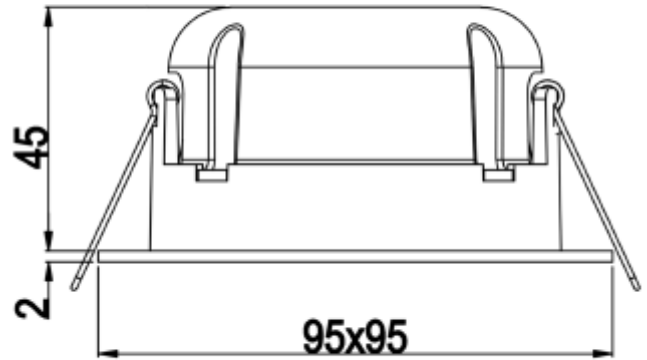
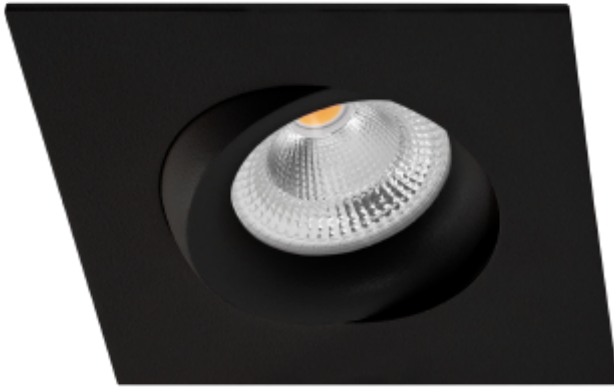
Tigrus 360° Square

Art. no: 26927-D2W-36-2

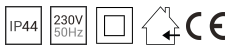


Lighting Solutions

 80-83mm



Tigrus 360° Square



Art. no: 26927-D2W-36-2

LIGHT TECHNICAL

Lumen Output:	495
Lumen LED (tc=25):	550
Beam Angle:	36°
CCT (Color Temperature):	3000-1800K D2W
CRI / Ra:	95
Color Code:	930-918
MacAdam (SDCM):	3
Lens (Diffuser):	Clear

MOUNTING / CONNECTION

Connection:	QuickConnect
Cut-out [mm]:	Ø80-Ø83
Mounting:	Recessed, Ceiling

ELECTRICAL DATA

Dimming:	Phase-Cut
Dimming Phasecut Type:	Leading / Trailing edge
Flickerfree:	Yes
Flicker metric (Pst LM) <:	1
Stroboscopic effect metric (SVM) <:	0,4
System Power [W]:	8
System Voltage [V]:	230V 50Hz
Protection Class:	2
Max load pr circuit - B10:	35
Max load pr circuit - B16:	56
Max load pr circuit - C10:	74
Max load pr circuit - C16:	118
Leakage current [mA]:	5
Inrush current I _{max} [A]:	5
Inrush current time [µs]:	300
Socket / Cap-Base:	N/A
Current Output [mA]:	350
Voltage Forward Min [V]:	15,5
Voltage Forward Max [V]:	18,5



FDV SPEC SHEET

Tigrus 360° Square

Art. no: 26927-D2W-36-2



Lighting Solutions

PRODUCT

To be recessed in insulation:	Yes, recessed in insulation
Ingress Protection:	IP44
Impact Protection:	IK02
Color:	Black
Length [mm]:	95
Height [mm]:	47
Width [mm]:	95
Housing Material :	Aluminium
Diffuser Material:	Aluminium
Material 2:	Polycarbonate