

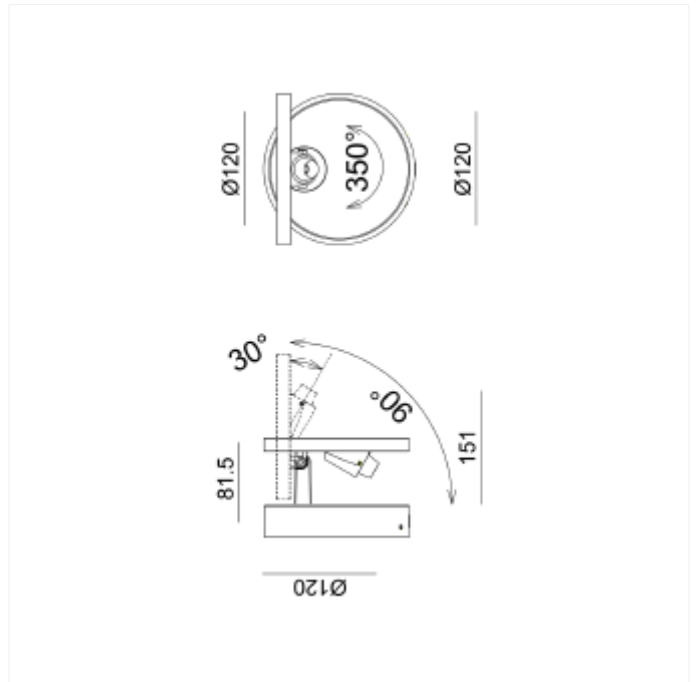


PRODUCT FAMILY SHEET

Algedi



Lighting Solutions



Algedi

Algedi are 350° rotatable and can be adjusted 90° upwards. Touch button for dim.

VERSIONS

Art.No	Effect [W]	Cold Lumen [lm]	Lumen Output [lm]	CCT [K]	Beam Angle [°]	Lens Difuser	CRI [>]	Color	Light Control	Connection
3542-3	6,5	400	331	2700	30°	Clear	90	White	None	Terminal
3542-26	6,5	400	331	2700		Clear	90	Black/Gold	None	Terminal
3542-2	6,5	400	331	2700	30°	Clear	90	Black	None	Terminal