



## FDV SPEC SHEET

Ceto R

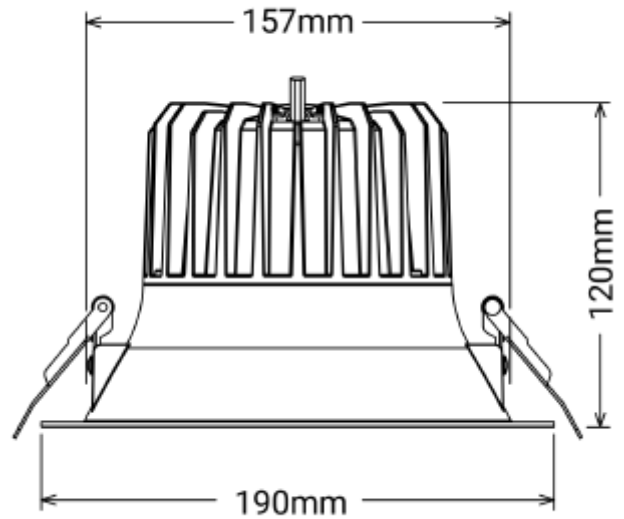
Art. no: 102791-36-3



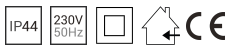
Lighting Solutions



Ø 160-170mm



## Ceto R



Art. no: 102791-36-3

### LIGHT TECHNICAL

Lightsource Type:	LED (built in)
Lumen Output:	1900
Lumen LED (tc=25):	2100
Beam Angle:	36°
CCT (Color Temperature):	3000
CRI / Ra:	90
Color Code:	930
MacAdam (SDCM):	3
Lens (Diffuser):	Clear

### MOUNTING / CONNECTION

Connection:	18i3 Quick connection
Cut-out [mm]:	160-175
Mounting:	Recessed



## FDV SPEC SHEET

Ceto R

Art. no: 102791-36-3



PRODUCT	
To be recessed in insulation:	Not applicable
Ingress Protection:	IP44
Impact Protection:	IK06
Operating Temperature [°C]:	-20 - 45
Lifetime [h]:	L80B10: 100 000
Color:	White
RAL:	RAL9016
Length [mm]:	190
Height [mm]:	120
Width [mm]:	190
Diameter [mm]:	190
Weight [kg]:	0,7

ELECTRICAL DATA	
UGR (<=):	19
Dimming:	Phase-Cut
Dimming Output Type:	PWM
Dimming Phasecut Type:	Leading / Trailing edge
Flickerfree:	Yes
Standby power Psb (W) <:	1
Flicker metric (Pst LM) <:	1
Stroboscopic effect metric (SVM) <	0,4
System Power [W]:	18
System Voltage [V]:	230V 50Hz
Protection Class:	2
Max load pr circuit - B16:	56
Max load pr circuit - C10:	74
Max load pr circuit - C16:	118
Leakage current [mA]:	5
Inrush current Imax [A]:	5
Inrush current time [µs]:	100
Socket / Cap-Base:	N/A
Current Output [mA]:	500
Voltage Forward Min [V]:	30
Voltage Forward Max [V]:	40
Emergency light [h]:	No Emergency light
Emergency light testing:	N/A