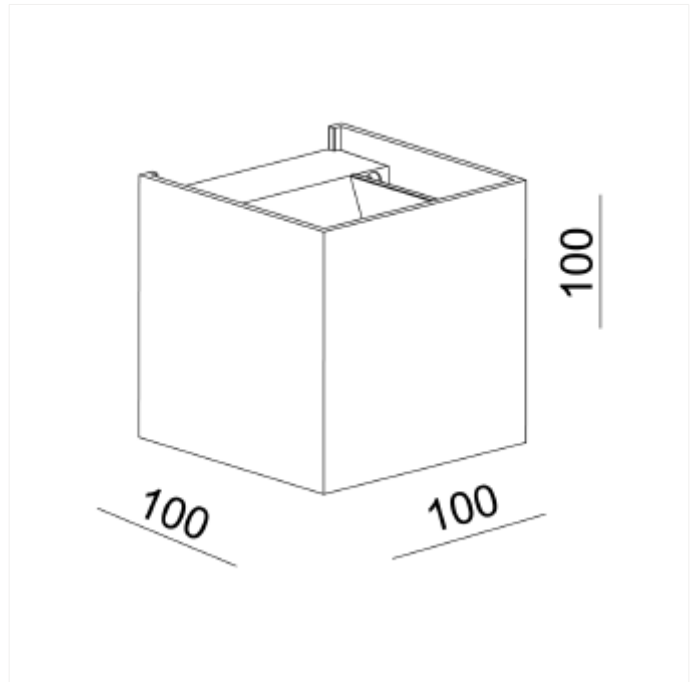




## PRODUCT FAMILY SHEET

Duhr Square



# Duhr Square

Duhr Square has a modern design with up and down light. With adjustable flaps you can easily change the beam angle.

## VERSIONS

| Art.No  | Effect [W] | Cold Lumen [lm] | Lumen Output [lm] | CCT [K] | Beam Angle [°] | Lens Difuser | CRI [>] | Color      | Light Control | Connection |
|---------|------------|-----------------|-------------------|---------|----------------|--------------|---------|------------|---------------|------------|
| 3546-26 | 2x4,6      | 2x400           |                   | 2700    |                | None         | 90      | Black/Gold | Phase-Cut     | Terminal   |
| 3546-3  | 2x4,6      | 2x400           |                   | 2700    | 30°            | Clear        | 90      | White      | Phase-Cut     | Terminal   |