



PRODUCT SHEET

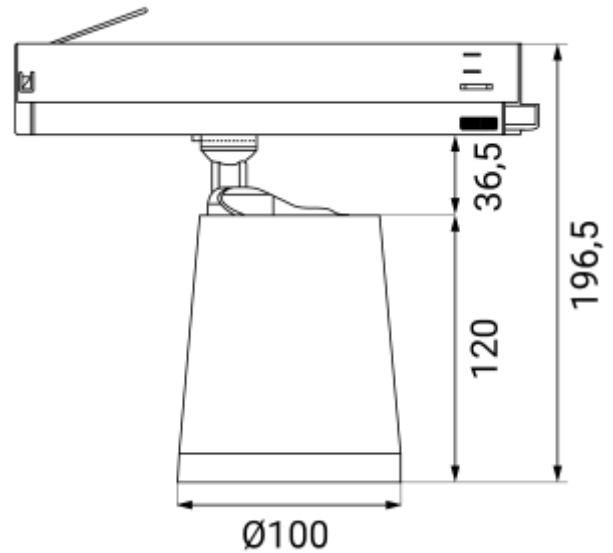
Cone Spotlight

Art. no: 101203-20H-2



Lighting Solutions

Cone Spotlight



Cone shaped spotlight with high lumen efficiency for use in 3-circuit track. With honeycomb filter.



SPECIFICATIONS

Lightsource Type:	LED (built in)
System Power [W]:	26W
CCT (Color Temperature):	3000K
CRI / Ra:	90
Lumen Output:	2180lm
Lumen LED (tc=25):	3200lm
Beam Angle:	20°
Lens (Diffuser):	honeycomb
Dimming:	None
System Voltage [V]:	230V 50Hz
Connection:	Track 3-Circuit
Mounting:	Track, Ceiling
Lifetime [h]:	L80B10: 100 000h
Lumen/W:	84lm/W
MacAdam (SDCM):	3
Color:	Black
Height [mm]:	196,5mm
Width [mm]:	100mm
Weight [kg]:	0,75kg