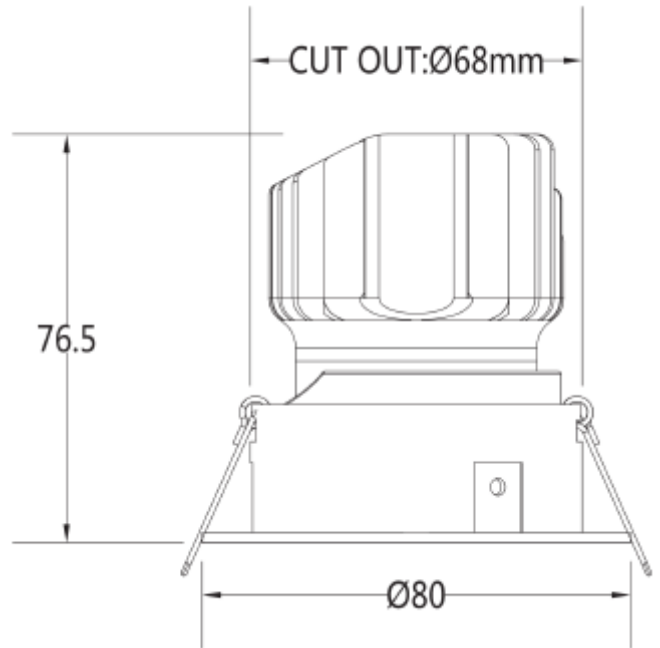
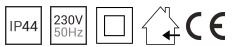




FDV SPEC SHEET
Cilla Mini
Art. no: 102720-30-3-ddd



Cilla Mini



Art. no: 102720-30-3-ddd

LIGHT TECHNICAL

Lightsource Type:	LED (built in)
Lumen Output:	670lm
Lumen LED (tc=25):	1100
Beam Angle:	30°
CCT (Color Temperature):	2700
CRI / Ra:	95
Color Code:	927
MacAdam (SDCM):	3
Lens (Diffuser):	Lens

MOUNTING / CONNECTION

Connection:	18i5 DALI Quick connection
Cut-out [mm]:	68mm
Mounting:	Recessed



FDV SPEC SHEET

Cilla Mini

Art. no: 102720-30-3-ddd



PRODUCT	
To be recessed in insulation:	Not applicable
Ingress Protection:	IP44
Impact Protection:	IK02
Operating Temperature [°C]:	-20 - 45
Lifetime [h]:	L80B10: 100 000
Color:	White
RAL:	RAL9010
Length [mm]:	80
Height [mm]:	76,5
Width [mm]:	80
Diameter [mm]:	80
Weight [kg]:	0,26
Housing Material :	Aluminium
Diffuser Material:	PMMA
Material 2:	Srpings

ELECTRICAL DATA	
UGR (<=):	19
Dimming:	DALI
Flickerfree:	Yes
Standby power P _{sb} (W) <:	0,5
Flicker metric (P _{st} LM) <:	1
Stroboscopic effect metric (SVM) <:	0,4
System Power [W]:	7
System Voltage [V]:	230V 50Hz
Protection Class:	2
Max load pr circuit - B10:	7
Max load pr circuit - B16:	9
Max load pr circuit - C10:	13
Max load pr circuit - C16:	18
Leakage current [mA]:	0,7
Inrush current I _{max} [A]:	10
Inrush current time [μs]:	100
Socket / Cap-Base:	N/A
Current Output [mA]:	200
Voltage Forward Max [V]:	33
Emergency light [h]:	No Emergency light
Emergency light testing:	N/A