



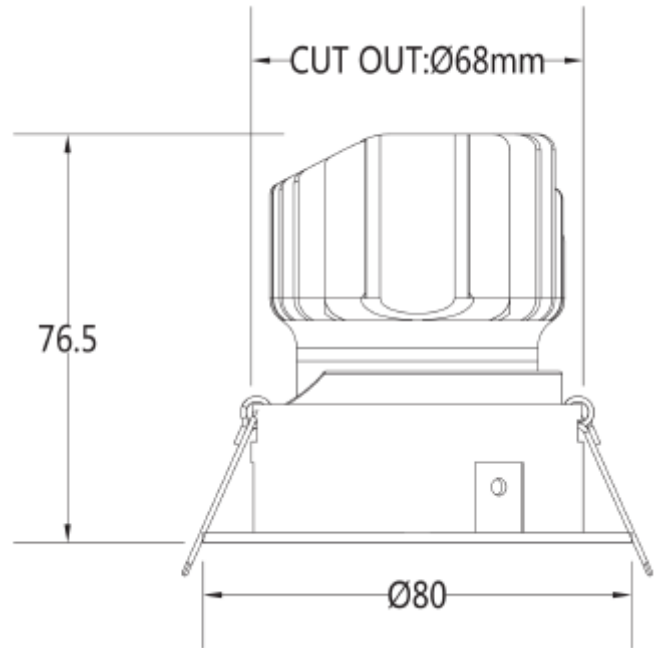
FDV SPEC SHEET

Cilla Mini

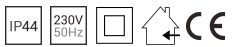
Art. no: 102720-30-3



Lighting Solutions



Cilla Mini



Art. no: 102720-30-3

LIGHT TECHNICAL

| | |
|--------------------------|----------------|
| Lightsource Type: | LED (built in) |
| Lumen Output: | 670lm |
| Lumen LED (tc=25): | 1100 |
| Beam Angle: | 30° |
| CCT (Color Temperature): | 2700 |
| CRI / Ra: | 95 |
| Color Code: | 927 |
| MacAdam (SDCM): | 3 |
| Lens (Diffuser): | Lens |

MOUNTING / CONNECTION

| | |
|---------------|-----------------------|
| Connection: | 18i3 Quick connection |
| Cut-out [mm]: | 68mm |
| Mounting: | Recessed |



FDV SPEC SHEET

Cilla Mini

Art. no: 102720-30-3



| PRODUCT | |
|-------------------------------|-----------------|
| To be recessed in insulation: | No |
| Ingress Protection: | IP44 |
| Impact Protection: | IK02 |
| Operating Temperature [°C]: | -20 - 45 |
| Lifetime [h]: | L80B10: 100 000 |
| Color: | White |
| RAL: | RAL9010 |
| Length [mm]: | 80 |
| Height [mm]: | 76,5 |
| Width [mm]: | 80 |
| Diameter [mm]: | 80 |
| Weight [kg]: | 0,24 |
| Housing Material : | Aluminium |
| Diffuser Material: | PMMA |
| Material 2: | Srpings |

| ELECTRICAL DATA | |
|------------------------------------|-------------------------|
| UGR (<=): | 19 |
| Dimming: | Phase-Cut |
| Dimming Output Type: | Amplitude Modulation |
| Dimming Phasecut Type: | Leading / Trailing edge |
| Flickerfree: | Yes |
| Standby power Psb (W) <: | 0,5 |
| Flicker metric (Pst LM) <: | 1 |
| Stroboscopic effect metric (SVM) < | 0,4 |
| System Power [W]: | 7 |
| System Voltage [V]: | 230V 50Hz |
| Protection Class: | 2 |
| Max load pr circuit - B10: | 7 |
| Max load pr circuit - B16: | 9 |
| Max load pr circuit - C10: | 13 |
| Max load pr circuit - C16: | 18 |
| Leakage current [mA]: | 0,7 |
| Inrush current Imax [A]: | 5 |
| Inrush current time [µs]: | 100 |
| Socket / Cap-Base: | N/A |
| Current Output [mA]: | 150 |
| Voltage Forward Max [V]: | 33 |
| Emergency light [h]: | No Emergency light |
| Emergency light testing: | N/A |