



FDV SPEC SHEET

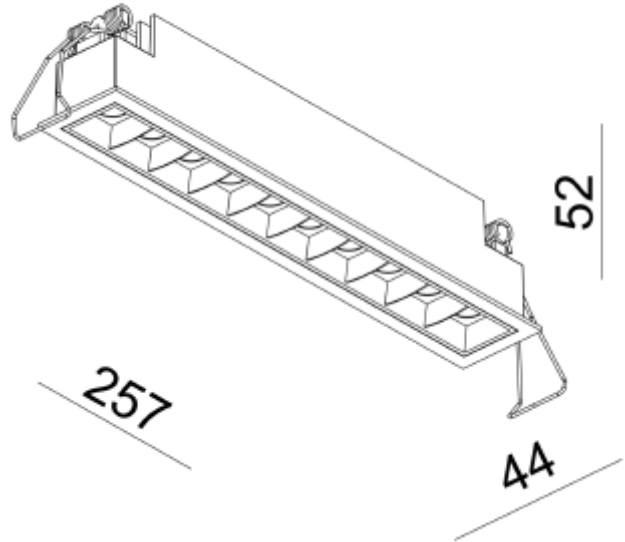
Cold 10

Art. no: 1112-30-3



Lighting Solutions

250x36mm



Cold 10



Art. no: 1112-30-3

LIGHT TECHNICAL

Lightsource Type:	LED (built in)
Lumen Output:	1920
Lumen LED (tc=25):	2100
Beam Angle:	30°
CCT (Color Temperature):	2700
CRI / Ra:	90
Color Code:	927
Lens (Diffuser):	None

MOUNTING / CONNECTION

Connection:	Depending on driver
Cut-out [mm]:	250x36
Mounting:	Recessed, Ceiling

ELECTRICAL DATA

Dimming:	Depending on Driver
Dimming Output Type:	Amplitude Modulation
Dimming Phasecut Type:	Leading / Trailing edge
Flickerfree:	Yes
Flicker metric (Pst LM) <:	1
Stroboscopic effect metric (SVM) <	0,4
System Power [W]:	2x10
System Voltage [V]:	230V 50Hz
Protection Class:	3
Max load pr circuit - B10:	35
Max load pr circuit - B16:	56
Max load pr circuit - C10:	74
Max load pr circuit - C16:	118
Leakage current [mA]:	7
Inrush current I _{max} [A]:	5
Inrush current time [µs]:	300
Socket / Cap-Base:	N/A
Voltage Forward Max [V]:	30



FDV SPEC SHEET

Cold 10

Art. no: 1112-30-3



Lighting Solutions

PRODUCT

To be recessed in insulation:	No
Ingress Protection:	IP20
Lifetime [h]:	L80B10: 100 000
Color:	White
Length [mm]:	257
Height [mm]:	52
Width [mm]:	44
Weight [kg]:	0,7
Housing Material :	Aluminium
Material 2:	Mechanical installed part(Steel