



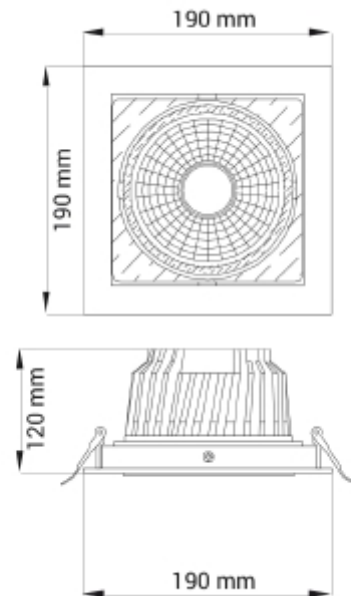
FDV SPEC SHEET

Frame

Art. no: 14121-7-30-3



Lighting Solutions



Frame



Art. no: 14121-7-30-3

LIGHT TECHNICAL

Lightsource Type:	LED (built in)
Lens (Diffuser):	Clear

MOUNTING / CONNECTION

Connection:	18i3 Quick connection
Cut-out [mm]:	175x175
Mounting:	Recessed, Ceiling

PRODUCT

To be recessed in insulation:	No
Ingress Protection:	IP20
Length [mm]:	190
Height [mm]:	120
Width [mm]:	190
Weight [kg]:	1500

ELECTRICAL DATA

Dimming:	None
System Power [W]:	31
System Voltage [V]:	230V 50Hz
Protection Class:	2
Max load pr circuit - B10:	14
Max load pr circuit - B16:	24
Max load pr circuit - C10:	24
Max load pr circuit - C16:	40
Inrush current I _{max} [A]:	25
Inrush current time [μs]:	150
Socket / Cap-Base:	N/A