



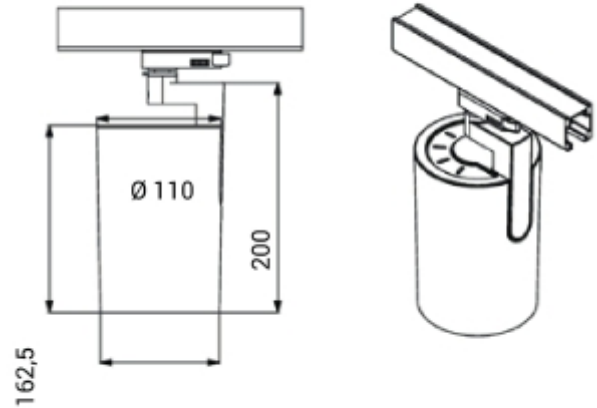
FDV SPEC SHEET

Ray Mini

Art. no: 18156-7-40-2



Lighting Solutions



Ray Mini



Art. no: 18156-7-40-2

LIGHT TECHNICAL

Lightsource Type:	LED (built in)
Lumen LED (tc=25):	2900
Beam Angle:	40°
CCT (Color Temperature):	Arctic White
CRI / Ra:	95
Color Code:	932
MacAdam (SDCM):	3
Lens (Diffuser):	Clear

MOUNTING / CONNECTION

Connection:	Track 3-Circuit
Mounting:	Track, Ceiling

PRODUCT

Ingress Protection:	IP20
Color:	Black
Height [mm]:	200
Width [mm]:	110

ELECTRICAL DATA

Dimming:	None
System Power [W]:	22
System Voltage [V]:	230V 50Hz
Protection Class:	1
Max load pr circuit - B10:	55
Max load pr circuit - B16:	90
Max load pr circuit - C10:	65
Max load pr circuit - C16:	100
Inrush current I _{max} [A]:	8
Inrush current time [μs]:	100
Socket / Cap-Base:	N/A
Current Output [mA]:	600
Voltage Forward Min [V]:	16,7
Voltage Forward Max [V]:	34,8