

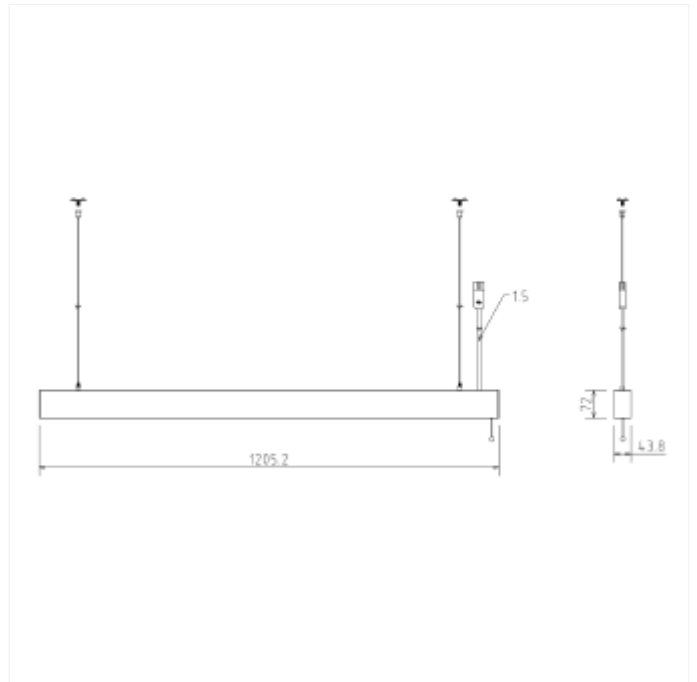


# PRODUCT FAMILY SHEET

BenuOfficeSensorBase



Lighting Solutions



## BenuOfficeSensorBase

Benu is a linear LED luminaire with up- and down light for pending down in indoor areas. With motion and daylight sensor. If presence isnt detected , lamp brightness reduces to 30% after 30 minutes, after another 30 minutes the lamp switched switches off. When motion is detected, lamp will switch on. Daylight sensor will adjust lux throughout the day based on standard lux. See installation manual for detailed information. UGR19 and dimmable by pulling the rope. 18i3 connection, 3m transparent wire and t-profile bracket are included.

### VERSIONS

Art.No	Effect [W]	Cold Lumen [lm]	Lumen Output [lm]	CCT [K]	Beam Angle [°]	Lens Difuser	CRI [>]	Color	Light Control	Connection
--------	------------	-----------------	-------------------	---------	----------------	--------------	---------	-------	---------------	------------