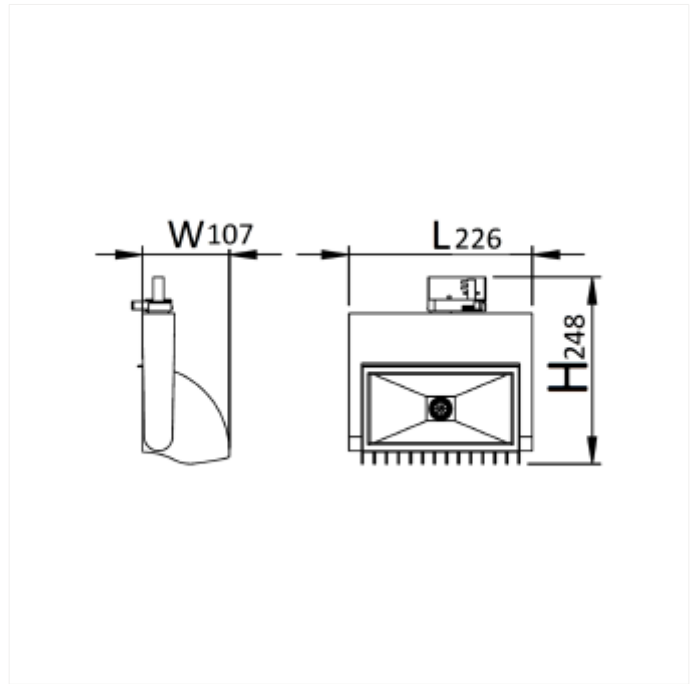




## PRODUCT FAMILY SHEET

Lata Wall II



# Lata Wall II

Lata Wall II by Norlux is a linear track mounted luminaire with a reflector ensuring a wide spreading of the light, illuminating large surfaces. Lata Wall II is made from molded aluminum to ensure maximum lifetime expectancy. Lata Wall II has great flexibility, tillable 90° and rotatable 355°.

## VERSIONS

Art.No	Effect [W]	Cold Lumen [lm]	Lumen Output [lm]	CCT [K]	Beam Angle [°]	Lens Difuser	CRI [>]	Color	Light Control	Connection
--------	------------	-----------------	-------------------	---------	----------------	--------------	---------	-------	---------------	------------