

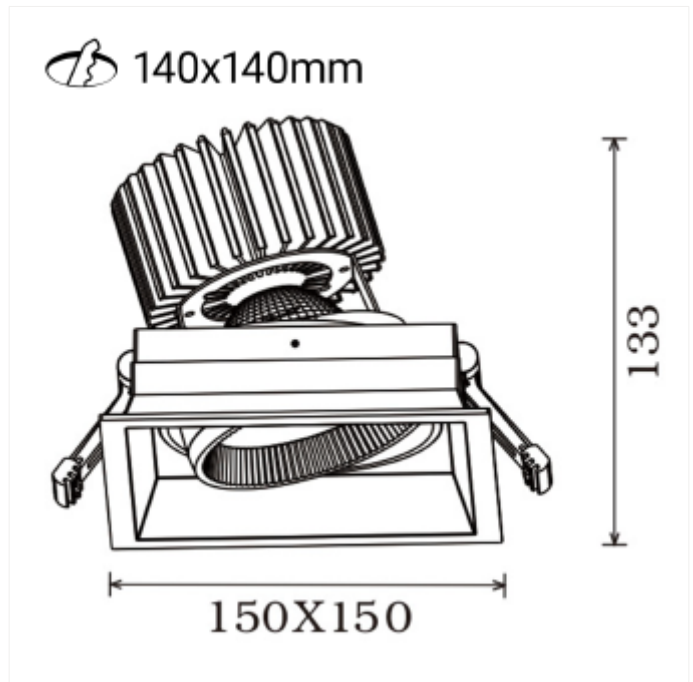


PRODUCT FAMILY SHEET

Quadro

NORLUX®

Lighting Solutions



Quadro

Quadro downlight available in a single and a double version. The Quadro combines the design details from track mounted spotlights with those of downlights. This will make a very nice design element in premises where one needs both track mounted and recessed fixtures.

VERSIONS

Art.No	Effect [W]	Cold Lumen [lm]	Lumen Output [lm]	CCT [K]	Beam Angle [°]	Lens Difuser CRI [>]	Color	Light Control	Connection
--------	------------	-----------------	-------------------	---------	----------------	----------------------	-------	---------------	------------