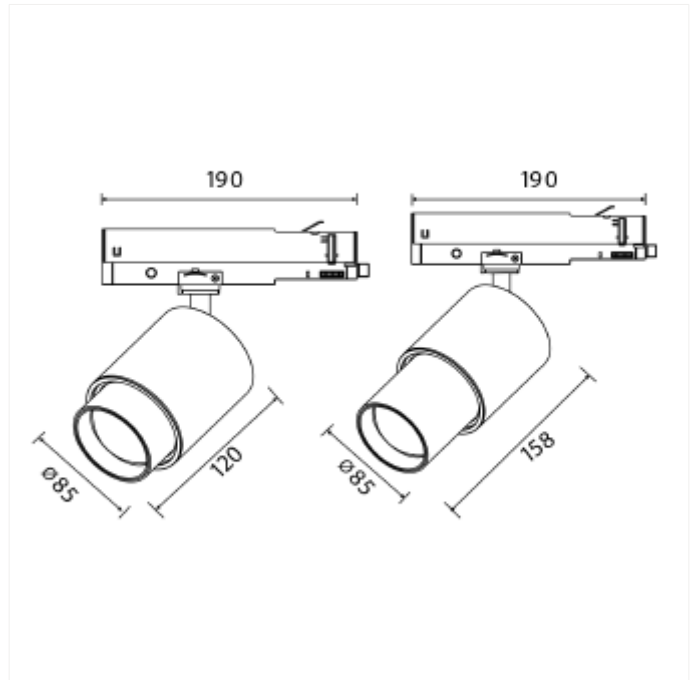




## PRODUCT FAMILY SHEET

### Zoom Spotlight



# Zoom Spotlight

The unique zoom patent makes it possible to vary the beam angle between 6 and 60 degrees making this model highly versatile. The Zoom is available in both black and white versions and is made from robust die-cast aluminum.

## VERSIONS

Art.No	Effect [W]	Cold Lumen [lm]	Lumen Output [lm]	CCT [K]	Beam Angle [°]	Lens Difuser	CRI [>]	Color	Light Control	Connection
--------	------------	-----------------	-------------------	---------	----------------	--------------	---------	-------	---------------	------------