



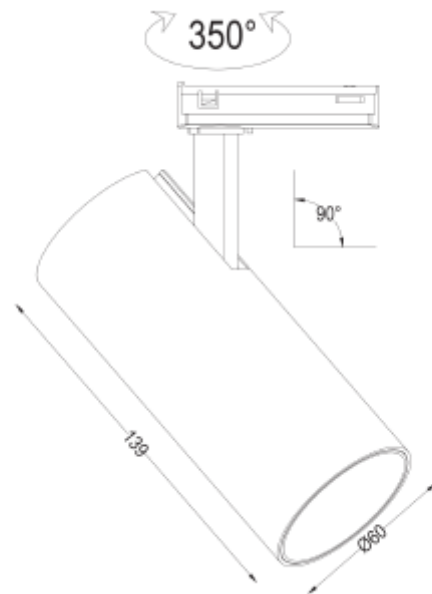
FDV SPEC SHEET

Cylinder 60

Art. no: 102251-36-2-p



Lighting Solutions



Cylinder 60



Art. no: 102251-36-2-p

LIGHT TECHNICAL

Lightsource Type:	LED (built in)
Lumen Output:	1400
Lumen LED (tc=25):	2100
Beam Angle:	36°
CCT (Color Temperature):	3000
CRI / Ra:	90
Color Code:	930
MacAdam (SDCM):	3
Lens (Diffuser):	Clear
UGR (<=):	19

MOUNTING / CONNECTION

Connection:	Track 1-Circuit
Mounting:	Track, Ceiling



FDV SPEC SHEET

Cylinder 60

Art. no: 102251-36-2-p



Lighting Solutions

PRODUCT		ELECTRICAL DATA	
Ingress Protection:	IP20	Dimming:	Phase-Cut
Impact Protection:	IK02	Flickerfree:	Yes
Operating Temperature [°C]:	-20 - 45	Standby power Psb (W) <:	0,5
Lifetime [h]:	L80B10: 100 000	Flicker metric (Pst LM) <:	1
Color:	Black	Stroboscopic effect metric (SVM) <:	0,4
RAL:	RAL9005	System Power [W]:	15
Length [mm]:	130	System Voltage [V]:	230V 50Hz
Height [mm]:	130	Dimming Output Type:	Amplitude Modulation
Diameter [mm]:	60	Dimming Phasecut Type:	Leading / Trailing edge
Weight [kg]:	0,39	Protection Class:	1
Housing Material :	Aluminium	Max load pr circuit - B10:	50
Diffuser Material:	Aluminium	Max load pr circuit - B16:	80
Material 2:	Polycarbonate	Max load pr circuit - C10:	80
		Max load pr circuit - C16:	128
		Leakage current [mA]:	0,25
		Inrush current Imax [A]:	12
		Inrush current time [µs]:	400
		Socket / Cap-Base:	N/A
		Current Output [mA]:	350
		Voltage Forward Min [V]:	32
		Voltage Forward Max [V]:	36,2
		Emergency light [h]:	No Emergency light