



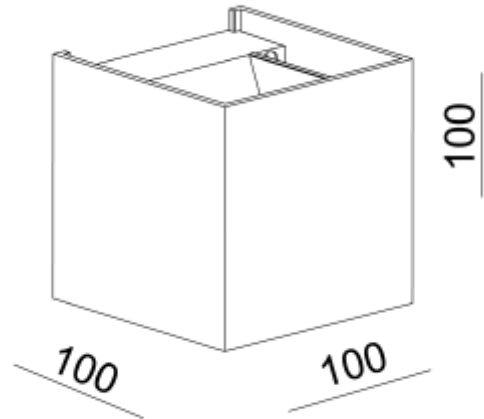
PRODUCT SHEET

Duhr Square
Art. no: 3546-3



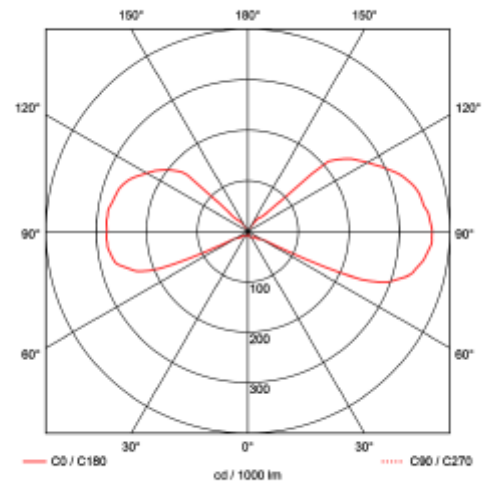
Lighting Solutions

Duhr Square



SPECIFICATIONS

Lightsource Type:	LED (built in)
System Power [W]:	2x4,6W
CCT (Color Temperature):	2700K
CRI / Ra:	90
Lumen LED (tc=25):	2x400lm
Beam Angle:	30°
Lens (Diffuser):	Clear
Dimming:	Phase-Cut
System Voltage [V]:	230V 50Hz
Connection:	Terminal
Mounting:	Surface, Wall
Lifetime [h]:	L80B10: 50.000h
Color:	White
Length [mm]:	100mm
Height [mm]:	100mm
Width [mm]:	100mm
Weight [kg]:	0,9kg



Duhr Square has a modern design with up and down light. With adjustable flaps you can easily change the beam angle.