

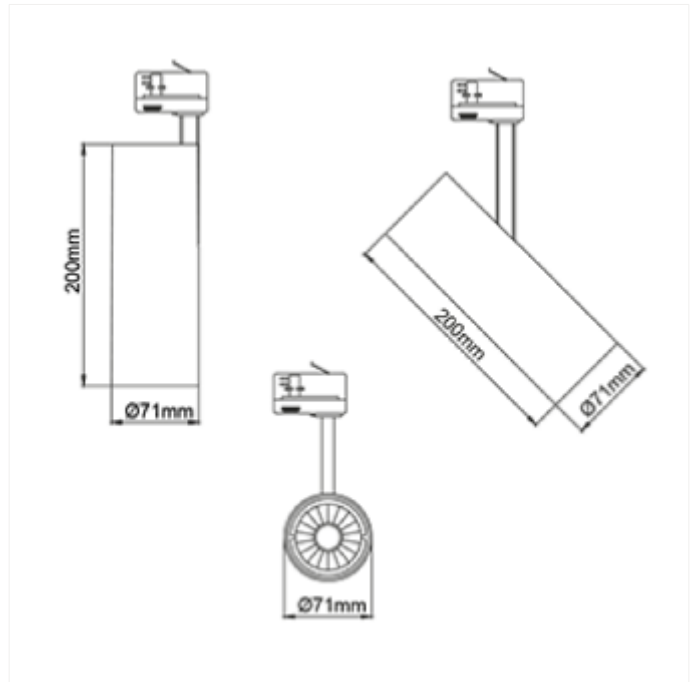


## PRODUCT FAMILY SHEET

Silindir 70



Lighting Solutions



# Silindir 70

The Silindir uses the possibilities created by new technology. The LED driver is mounted inside the luminaire body. This gives us a slim design combined with a powerful light output that can be easily adjusted in all directions to meet all needs. Cylinder can be tilted 90 degrees and rotated 350 degrees its own axis.

## VERSIONS

| Art.No            | Effect [W] | Cold Lumen [lm] | Lumen Output [lm] | CCT [K] | Beam Angle [°] | Lens Difuser | CRI [>] | Color | Light Control | Connection          |
|-------------------|------------|-----------------|-------------------|---------|----------------|--------------|---------|-------|---------------|---------------------|
| 1081-7-40-2       | 20         | 2500            | 2400              | 3000    | 40°            | Clear        | 90      | Black | None          | Track 3-Circuit     |
| 1081-7-40-3       | 20         | 2500            | 2400              | 3000    | 40°            | Clear        | 90      | White | None          | Track 3-Circuit     |
| 101090-7-30-3-ddd | 19         |                 |                   | 2700    | 30°            | Clear        | 90      | White | DALI          | Track 3-Circuit+dim |
| 1081-7-40-3-d dd  | 20         | 2500            | 2400              | 3000    | 40°            | Clear        | 90      | White | DALI2         | Track 3-Circuit+dim |
| 1081-7-40-2-d dd  | 20         | 2500            | 2400              | 3000    | 40°            | Clear        | 90      | Black | DALI2         | Track 3-Circuit+dim |
| 1081-6-40-2-d dd  | 20         |                 | 1962              | 3000    | 40             | Clear        | 90      | Black |               |                     |
| 101090-7-40-3     | 20         | 2500            |                   | 2700    | 40°            | Clear        | 90      | White | None          | Track 3-Circuit     |
| 1081-7-24-1-p     | 20         | 2500            | 2300              | 3000    | 24°            | Clear        | 90      | Grey  | Phase-Cut     | Track 3-Circuit     |
| 101090-7-40-2     | 20         | 2500            |                   | 2700    | 40°            | Clear        | 90      | Black | None          | Track 3-Circuit     |
| 101091-7-24-3 -p  | 24         | 2800            |                   | 3000    | 24°            | Clear        | 90      | White | Phase-Cut     | Track 3-Circuit     |