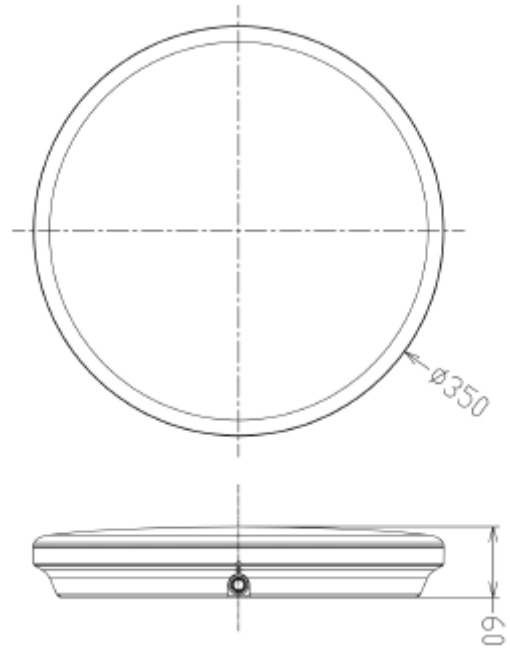
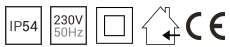




**FDV SPEC SHEET**  
 Celestial Plafond  
 Art. no: 101575-E-S-120-3



# Celestial Plafond



Art. no: 101575-E-S-120-3

LIGHT TECHNICAL	
Lightsource Type:	LED (built in)
Lumen Output:	2750
Lumen LED (tc=25):	2900
Beam Angle:	120°
CCT (Color Temperature):	2700-3000K
CRI / Ra:	80
Color Code:	827/830
MacAdam (SDCM):	3
Lens (Diffuser):	Opal
MOUNTING / CONNECTION	
Connection:	QuickConnect
Mounting:	Wall, Ceiling

ELECTRICAL DATA	
Dimming:	Sensor (MW)
Flickerfree:	Yes
Standby power P <sub>sb</sub> (W) <:	0,5
Flicker metric (P <sub>st</sub> LM) <:	1
Stroboscopic effect metric (SVM) <	0,4
System Power [W]:	25
System Voltage [V]:	230V 50Hz
Protection Class:	2
Max load pr circuit - B10:	24
Max load pr circuit - B16:	38
Max load pr circuit - C10:	24
Max load pr circuit - C16:	38
Leakage current [mA]:	0,75
Inrush current I <sub>max</sub> [A]:	29,4
Inrush current time [µs]:	81
Current Output [mA]:	600
Emergency light [h]:	3 hours
Emergency light testing:	Selftest
Emergency lumen out [lm]:	300



## FDV SPEC SHEET

Celestial Plafond

Art. no: 101575-E-S-120-3



*Lighting Solutions*

### PRODUCT

Ingress Protection:	IP54
Impact Protection:	IK06
Operating Temperature [°C]:	-20 - 45
Lifetime [h]:	L80B10: 100 000
Color:	White
RAL:	RAL9016
Height [mm]:	60
Diameter [mm]:	350
Weight [kg]:	1,25
Housing Material :	Polycarbonate
Diffuser Material:	Polycarbonate