



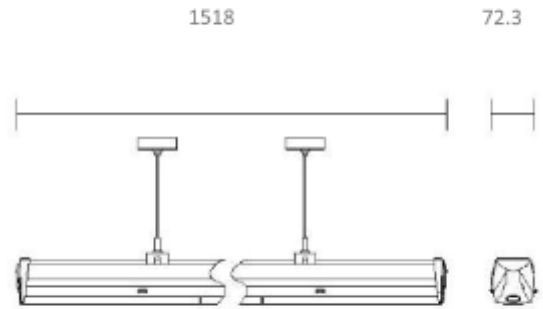
FDV SPEC SHEET

Trunk

Art. no: CFL-1550-E-40WD-08-3



Unit: mm



Trunk



Art. no: CFL-1550-E-40WD-

LIGHT TECHNICAL

Lightsource Type:	LED (built in)
Lumen Output:	8116
Lumen LED (tc=25):	8500
Beam Angle:	90°
CCT (Color Temperature):	4000
CRI / Ra:	80
Color Code:	840
Lens (Diffuser):	Clear

MOUNTING / CONNECTION

Connection:	Trunk 8-wires
Mounting:	Suspended, Ceiling

ELECTRICAL DATA

Dimming:	None
Standby power Psb (W) <:	Skjult
Flicker metric (Pst LM) <:	Skjult
Stroboscopic effect metric (SVM) <:	Skjult
System Power [W]:	50
System Voltage [V]:	230V 50Hz
Protection Class:	1
Max load pr circuit - B10:	11
Max load pr circuit - B16:	18
Max load pr circuit - C10:	18
Max load pr circuit - C16:	30
Leakage current [mA]:	0,45
Inrush current Imax [A]:	28
Inrush current time [µs]:	280
Emergency light [h]:	3 hours
Emergency light testing:	Manual
Emergency lumen out [lm]:	960



FDV SPEC SHEET

Trunk

Art. no: CFL-1550-E-40WD-08-3



Lighting Solutions

PRODUCT

Ingress Protection:	IP20
Lifetime [h]:	L80B10: 100 000
Color:	White
Length [mm]:	1500
Height [mm]:	78,6
Width [mm]:	72,3
Weight [kg]:	1,64