



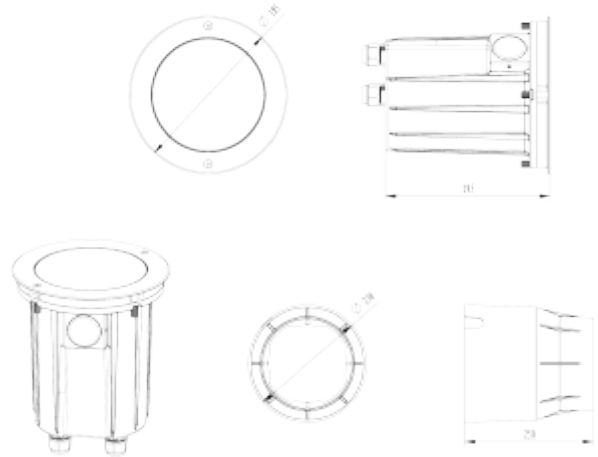
PRODUCT SHEET

Heka 1050lm 830 30° 15W Brushed Steel Phasecut
Art. no: 2560-30-1



Lighting Solutions

Heka 1050lm 830 30° 15W Brushed Steel Phasecut



SPECIFICATIONS

System Power [W]:	15W
CCT (Color Temperature):	3000K
CRI / Ra:	80
Lumen LED (tc=25):	1050lm
Beam Angle:	30°
Lens (Diffuser):	Clear
Dimming:	Phase-Cut
System Voltage [V]:	230V 50Hz
Connection:	Cable 2m
Mounting:	Ground, Recessed
MacAdam (SDCM):	3
Color:	Brushed Steel
Height [mm]:	250mm
Width [mm]:	230mm
Weight [kg]:	3,5kg