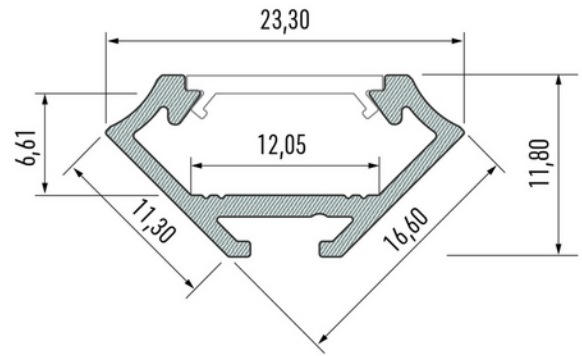
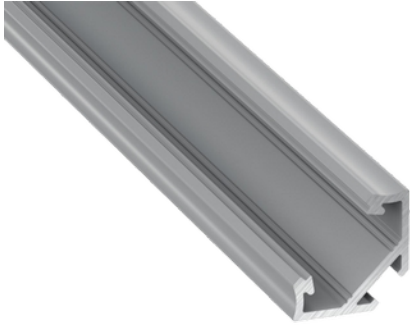


**FDV DOCUMENTATION**

Profile Type C-Corner ALU anod 2,02m inc/end caps, clips

Art.no: 10-0034-20

*Lighting Solutions*

Profile Type C-Corner ALU anod 2,02m inc/end caps, clips



SPECIFICATIONS	
Length (product) (mm)	2020.0
Width (product) (mm)	23.3
Height (product) (mm)	11.8
Weight (product) (kg)	0.342
Max Width LED Strip (mm)	12.0