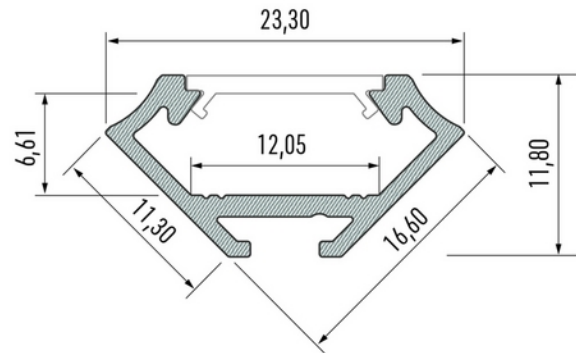


**PRODUCT DATA SHEET**

Profile Type C-Corner ALU anod 2,02m inc/end caps, clips  
 Art.no: 10-0034-20

*Lighting Solutions*

## Profile Type C-Corner ALU anod 2,02m inc/end caps, clips



TECHNICAL DATA	
Outdoor	No

DIMENSIONS	
Length (product) (mm)	2020.0
Width (product) (mm)	23.3
Height (product) (mm)	11.8
Weight (product) (kg)	0.342
Max Width LED Strip (mm)	12.0

MATERIALS AND SURFACES	
Color	Silver Anodized

ENERGY AND CERTIFICATIONS	
CE mark	Yes



**PRODUCT DATA SHEET**

Profile Type C-Corner ALU anod 2,02m inc/end caps, clips

Art.no: 10-0034-20



*Lighting Solutions*