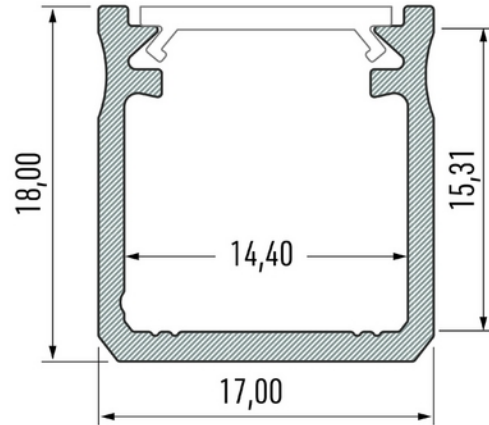


**FDV DOCUMENTATION**

Profile Type Y 17x18mm WH 2,02 m inc/end caps, clips

Art.no: 10-0091-20

*Lighting Solutions*

Profile Type Y 17x18mm WH 2,02 m inc/end caps, clips



SPECIFICATIONS	
Length (product) (mm)	2020.0
Width (product) (mm)	17.0
Height (product) (mm)	18.0
Weight (product) (kg)	0.442
Max Width LED Strip (mm)	14.4