

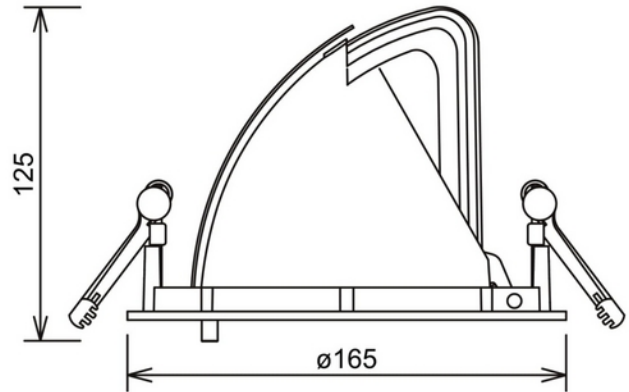
**FDV DOCUMENTATION**

Zeta Mini 3600lm 930 15° 27W BK 18i3-plug

Art.no: 1008-7-15-2

*Lighting Solutions*

155mm



## Zeta Mini 3600lm 930 15° 27W BK 18i3-plug



SPECIFICATIONS	
Forward Voltage LED (max tp=25) (V)	38.7
Forward Voltage LED (min tp=65) (V)	29.3
CC (forward voltage driver) (V)	44.0
Inrush current time (µs)	150.0
Inrush current I <sub>max</sub> (A)	25.0
Length (product) (mm)	165.0
Width (product) (mm)	165.0
Height (product) (mm)	125.0
Weight (product) (kg)	0.95



**FDV DOCUMENTATION**

Zeta Mini 3600lm 930 15° 27W BK 18i3-plug

Art.no: 1008-7-15-2



*Lighting Solutions*

**LIGHT DISTRIBUTION**

