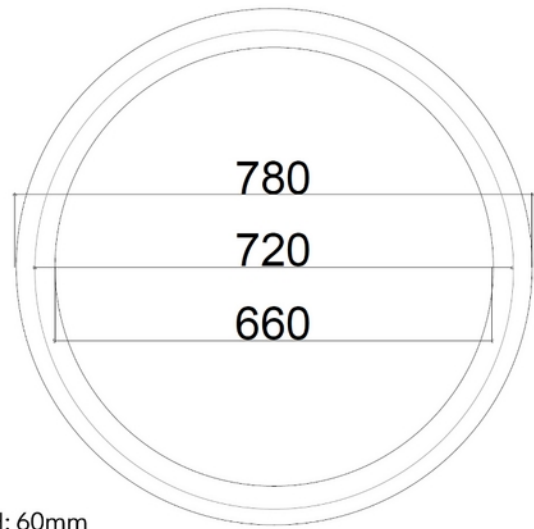


**PRODUCT DATA SHEET**

Sircular 3500lm 830 35W Ø780mm BK DALI 2m cable
Art.no: 101300-120-2-ddd



Lighting Solutions



H: 60mm
B: 60mm

Sircular 3500lm 830 35W Ø780mm BK DALI 2m cable



Circular decorative pendant with direct lighting. The fixture comes with opal diffusor and DALI2 driver. Available in 4 sizes with 3000K.

ELECTRICAL DATA	
Protection Class (system)	1
Dimming (system)	DALI2
Voltage (system) [V]	230V 50Hz

TECHNICAL DATA	
IK (system)	IK09
IP (system)	IP20
Outdoor	No
Operating temperature (°C)	-30 - 55

**PRODUCT DATA SHEET**

Sircular 3500lm 830 35W Ø780mm BK DALI 2m cable
Art.no: 101300-120-2-ddd



Lighting Solutions

PHOTOMETRIC DATA	
CRI / Ra (>=)	80
CCT (Color Temperature) (K)	3000
Color Code	830
Lightsource Type	LED (built in)
Lens (Diffuser)	Opal
Lifetime (h)	L80B20: 50 000
MacAdam (SDCM)	5
UGR (<=)	22

DRIVER	
Manufacturer (driver)	Boke
Protection Class (driver)	1
Max Output Voltage (V)	50
Expected Lifetime (driver) (h)	50000
Constant current or voltage (CC or CV)	CC
CC (driver) [mA]	550 - 1000
CC (forward voltage driver) (V)	3.0 - 42.0
Output Current Tolerance (%)	5.0
Max load pr circuit - B16	38
Max load pr circuit - C16	45
Leakage current (mA)	0.75
Inrush current time (µs)	110.0
Inrush current I _{max} (A)	30.0

DIMENSIONS	
Length (product) (mm)	60.0
Height (product) (mm)	60.0
Weight (product) (kg)	5.5
Diameter (product) (mm)	780.0

MATERIALS AND SURFACES	
Color	Black
Housing Material	Aluminium
Diffuser Material	Polycarbonate

**PRODUCT DATA SHEET**

Sircular 3500lm 830 35W Ø780mm BK DALI 2m cable
Art.no: 101300-120-2-ddd



Lighting Solutions

INSTALLATION AND CONNECTION	
Areas of use	Hotel, Office, Shop, Showroom
Mounting	Ceiling, Pendant
Connection (system)	Cable 2m

ENERGY AND CERTIFICATIONS	
Energy Class EPREL	E
CE mark	Yes