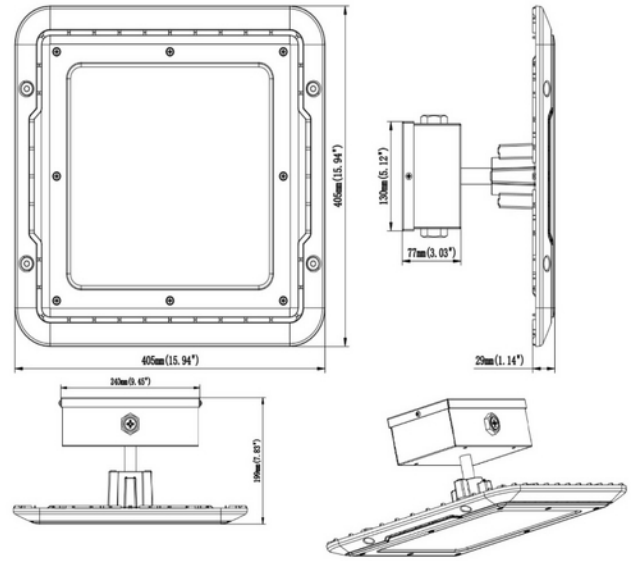


**PRODUCT DATA SHEET**

Petrol 21000lm 840 150W 80° IP66 WH 1-10V

Art.no: 101422-3

*Lighting Solutions*

Petrol 21000lm 840 150W 80° IP66 WH 1-10V



Petrol is a high luminous efficacy luminaire ideal for gas station as a retrofit or new installation. Delivered with 4000K in two versions. 100W and 150W with up to 150lm/w. Suitable for garage/gas station, warehouse, industrial facility, exhibition center and shopping mall. Surface mount kit are bought seperately.

ELECTRICAL DATA	
Protection Class (system)	1
Dimming (system)	1-10V
Voltage (system) [V]	230V 50Hz

TECHNICAL DATA	
IK (system)	IK08
IP (system)	IP66
Outdoor	No

**PRODUCT DATA SHEET**

Petrol 21000lm 840 150W 80° IP66 WH 1-10V

Art.no: 101422-3

*Lighting Solutions*

PHOTOMETRIC DATA	
Efficacy (system) (lm/W)	134
CRI / Ra (>=)	80
CCT (Color Temperature) (K)	4000
Color Code	840
Lightsource Type	LED (built in)
Socket / Cap-Base	N/A
MacAdam (SDCM)	5

DRIVER	
Manufacturer (driver)	Sosen
Protection Class (driver)	1
Standby power Psb (W) <	0.5
Flicker metric (Pst LM) <	0.009
Stroboscopic effect metric (SVM) <	0.012
Max Output Voltage (V)	56
Dimming (driver)	1-10V
Dimming Minimum Level (%)	10.0
Dimming output type	Amplitude Modulation
IP (driver)	IP67
Expected Lifetime (driver) (h)	70000
Constant current or voltage (CC or CV)	CC
CC (driver) [mA]	2100 - 4200
Current setting (driver)	None
CC (forward voltage driver) (V)	36.0 - 56.0
Output Current Tolerance (%)	5.0
Current Ripple (%)	10.0
Max load pr circuit - B10	3
Max load pr circuit - B16	5
Max load pr circuit - C10	6
Max load pr circuit - C16	9
Max load pr circuit - C20	12
Max load pr circuit - C25	15
Max load pr circuit - C32	19
Leakage current (mA)	0.75
Inrush current time (µs)	200.0

**PRODUCT DATA SHEET**

Petrol 21000lm 840 150W 80° IP66 WH 1-10V

Art.no: 101422-3

*Lighting Solutions*

DRIVER	
Inrush current I _{max} (A)	110.0

DIMENSIONS	
Length (product) (mm)	405.0
Width (product) (mm)	405.0
Height (product) (mm)	199.0
Weight (product) (kg)	6.1

MATERIALS AND SURFACES	
Color	White
RAL Code	RAL9016

INSTALLATION AND CONNECTION	
Areas of use	Industrial, Petrol
Mounting	Recessed, Surface, Ceiling

ENERGY AND CERTIFICATIONS	
CE mark	Yes
Energy Efficiency Class	C



PRODUCT DATA SHEET

Petrol 21000lm 840 150W 80° IP66 WH 1-10V

Art.no: 101422-3



Lighting Solutions

LIGHT DISTRIBUTION

