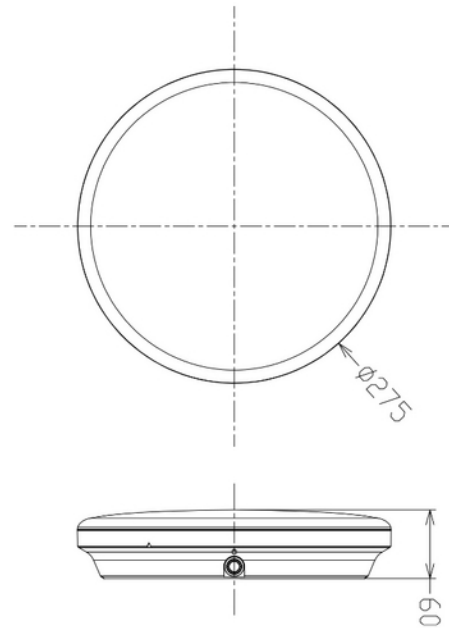


**PRODUCT DATA SHEET**

Celestial 2000lm 18W 827/830 Wh 120° Ø275mm DALI
 Art.no: 101571-120-3-ddd

*Lighting Solutions*

Celestial 2000lm 18W 827/830 Wh 120° Ø275mm DALI



Dimmable surface mounted ceiling light with PC diffuser and even light output. IP54 waterproof structural design, it's an ideal replacement for wet locations. Comes with a switch option between 2700K(default)and 3000K. Dimmable by phasecut or DALI2. QuickConnect for easy installation.

ELECTRICAL DATA	
Protection Class (system)	2
Dimming (system)	DALI, DALI2, Push
Voltage (system) [V]	230V 50Hz

TECHNICAL DATA	
IK (system)	IK06
IP (system)	IP54
Outdoor	No
Operating temperature (°C)	-20 - 45

**PRODUCT DATA SHEET**

Celestial 2000lm 18W 827/830 Wh 120° Ø275mm DALI
Art.no: 101571-120-3-ddd



Lighting Solutions

PHOTOMETRIC DATA	
Efficacy (system) (lm/W)	106
CRI / Ra (>=)	80
CCT (Color Temperature) (K)	2700-3000K
Lightsource Type	LED (built in)
Lens (Diffuser)	Opal
Lifetime (h)	L80B10: 100 000
MacAdam (SDCM)	3

DRIVER	
Manufacturer (driver)	Up-Shine
Protection Class (driver)	2
Standby power Psb (W) <	0.5
Flicker metric (Pst LM) <	1.0
Stroboscopic effect metric (SVM) <	0.4
Max Output Voltage (V)	40
Dimming Minimum Level (%)	1.0
Dimming output type	Amplitude Modulation
IP (driver)	IP20
Expected Lifetime (driver) (h)	50000
Flicker-free	Yes
CC (driver) [mA]	400 - null
CC (forward voltage driver) (V)	28.0 - 40.0
Output Current Tolerance (%)	5.0
Current Ripple (%)	5.0
Max load pr circuit - C10	66
Max load pr circuit - C16	106
Leakage current (mA)	0.75
Inrush current time (µs)	42.0
Inrush current I _{max} (A)	8.08

DIMENSIONS	
Width (product) (mm)	275.0
Height (product) (mm)	60.0
Weight (product) (kg)	0.75

**PRODUCT DATA SHEET**

Celestial 2000lm 18W 827/830 Wh 120° Ø275mm DALI

Art.no: 101571-120-3-ddd

*Lighting Solutions*

MATERIALS AND SURFACES	
Color	White
RAL Code	RAL9016
Housing Material	Polycarbonate
Diffuser Material	Polycarbonate

INSTALLATION AND CONNECTION	
Areas of use	Cottage, Generally, Hotel, Office, Residence
Mounting	Wall, Ceiling
Connection (system)	QuickConnect

ENERGY AND CERTIFICATIONS	
Energy Class EPREL	E
CE mark	Yes

LIGHT DISTRIBUTION