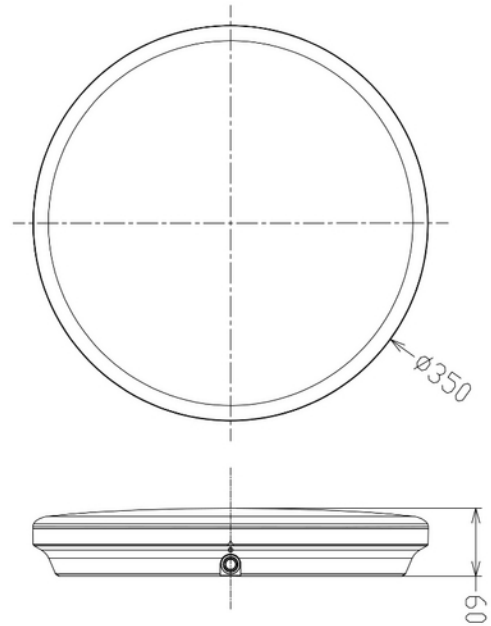


**PRODUCT DATA SHEET**

Celestial 2800lm 25W 827/830 WH 120° Ø350mm DALI
 Art.no: 101575-120-3-ddd

*Lighting Solutions*

Celestial 2800lm 25W 827/830 WH 120° Ø350mm DALI



Dimmable surface mounted ceiling light with PC diffuser and even light output. IP54 waterproof structural design, it's an ideal replacement for wet locations. Comes with a switch option between 2700K(default)and 3000K. Dimmable by phasecut or DALI2. QuickConnect for easy installation.

| ELECTRICAL DATA | |
|---------------------------|-------------------|
| Protection Class (system) | 2 |
| Dimming (system) | DALI, DALI2, Push |
| Voltage (system) [V] | 230V 50Hz |

| TECHNICAL DATA | |
|----------------------------|----------|
| IK (system) | IK06 |
| IP (system) | IP54 |
| Outdoor | No |
| Operating temperature (°C) | -20 - 45 |

**PRODUCT DATA SHEET**

Celestial 2800lm 25W 827/830 WH 120° Ø350mm DALI

Art.no: 101575-120-3-ddd

*Lighting Solutions*

| PHOTOMETRIC DATA | |
|-----------------------------|-----------------|
| Efficacy (system) (lm/W) | 110 |
| CRI / Ra (>=) | 80 |
| CCT (Color Temperature) (K) | 2700-3000K |
| Color Code | 827/830 |
| Lightsource Type | LED (built in) |
| Lens (Diffuser) | Opal |
| Lifetime (h) | L80B10: 100 000 |
| MacAdam (SDCM) | 3 |

| DRIVER | |
|--|----------------------|
| Manufacturer (driver) | Up-Shine |
| Standby power Psb (W) < | 0.5 |
| Flicker metric (Pst LM) < | 1.0 |
| Stroboscopic effect metric (SVM) < | 0.4 |
| Max Output Voltage (V) | 40 |
| Dimming (driver) | DALI2 |
| Dimming Minimum Level (%) | 1.0 |
| Dimming output type | Amplitude Modulation |
| IP (driver) | IP20 |
| Expected Lifetime (driver) (h) | 50000 |
| Flicker-free | Yes |
| Constant current or voltage (CC or CV) | CC |
| CC (driver) [mA] | 600 - null |
| CC (forward voltage driver) (V) | 30.0 - 40.0 |
| Output Current Tolerance (%) | 5.0 |
| Current Ripple (%) | 5.0 |
| Max load pr circuit - B10 | 47 |
| Max load pr circuit - B16 | 76 |
| Max load pr circuit - C10 | 47 |
| Max load pr circuit - C16 | 76 |
| Leakage current (mA) | 0.7 |
| Inrush current time (µs) | 76.4 |
| Inrush current Imax (A) | 11.2 |

**PRODUCT DATA SHEET**

Celestial 2800lm 25W 827/830 WH 120° Ø350mm DALI

Art.no: 101575-120-3-ddd

*Lighting Solutions*

| DIMENSIONS | |
|-----------------------|-------|
| Width (product) (mm) | 350.0 |
| Height (product) (mm) | 60.0 |
| Weight (product) (kg) | 1.25 |

| MATERIALS AND SURFACES | |
|------------------------|---------------|
| Color | White |
| RAL Code | RAL9016 |
| Housing Material | Polycarbonate |
| Diffuser Material | Polycarbonate |

| INSTALLATION AND CONNECTION | |
|-----------------------------|--|
| Areas of use | Cottage, Generally, Hotel, Office, Residence |
| Mounting | Wall, Ceiling |
| Connection (system) | QuickConnect |

| ENERGY AND CERTIFICATIONS | |
|---------------------------|-----|
| Energy Class EPREL | E |
| CE mark | Yes |

LIGHT DISTRIBUTION