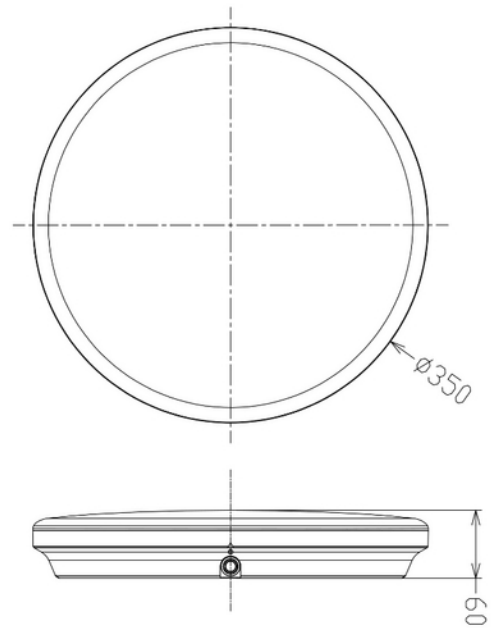


**PRODUCT DATA SHEET**

Celestial EMG Sensor 2800lm 25W 827/830 WH 120° Ø350mm

Art.no: 101575-E-S-120-3

*Lighting Solutions*

## Celestial EMG Sensor 2800lm 25W 827/830 WH 120° Ø350mm



Surface mounted ceiling light with emergencylight, microwave sensor and CCT switch (2700K-3000K). 3h emergencylight and selftest. Factory setting Detection Area: 100% holdt Time: 5S Daylight Sensor: Disable Standby dim level: 0% Stand.by period: - See installation manual for alternative sensor settings.

ELECTRICAL DATA	
Protection Class (system)	2
Dimming (system)	Sensor (MW)
Voltage (system) [V]	230V 50Hz
Emergency light (h)	3 hours
Emergency light testing	Selftest

TECHNICAL DATA	
IK (system)	IK06
IP (system)	IP54

**PRODUCT DATA SHEET**

Celestial EMG Sensor 2800lm 25W 827/830 WH 120° Ø350mm

Art.no: 101575-E-S-120-3

*Lighting Solutions*

TECHNICAL DATA	
Outdoor	No
Operating temperature (°C)	-20 - 45

PHOTOMETRIC DATA	
Efficacy (system) (lm/W)	110
CRI / Ra (>=)	80
CCT (Color Temperature) (K)	2700-3000K
Color Code	827/830
Lightsource Type	LED (built in)
Lens (Diffuser)	Opal
Lifetime (h)	L80B10: 100 000
MacAdam (SDCM)	3
Emergency lumen out (lm)	300

DRIVER	
Manufacturer (driver)	Up-Shine
Protection Class (driver)	2
Standby power P <sub>sb</sub> (W) <	0.5
Flicker metric (P <sub>st</sub> LM) <	1.0
Stroboscopic effect metric (SVM) <	0.4
Max Output Voltage (V)	75
IP (driver)	IP20
Expected Lifetime (driver) (h)	50000
Flicker-free	Yes
Constant current or voltage (CC or CV)	CC
CC (forward voltage driver) (V)	60.0 - 75.0
Output Current Tolerance (%)	5.0
Current Ripple (%)	5.0
Max load pr circuit - B10	24
Max load pr circuit - B16	38
Max load pr circuit - C10	24
Max load pr circuit - C16	38
Leakage current (mA)	0.75
Inrush current time (µs)	81.0
Inrush current I <sub>max</sub> (A)	29.4

**PRODUCT DATA SHEET**

Celestial EMG Sensor 2800lm 25W 827/830 WH 120° Ø350mm

Art.no: 101575-E-S-120-3

*Lighting Solutions*

DIMENSIONS	
Height (product) (mm)	60.0
Weight (product) (kg)	1.25
Diameter (product) (mm)	350.0

MATERIALS AND SURFACES	
Color	White
RAL Code	RAL9016
Housing Material	Polycarbonate
Diffuser Material	Polycarbonate

INSTALLATION AND CONNECTION	
Areas of use	Cottage, Generally, Hotel, Office, Residence
Mounting	Wall, Ceiling
Connection (system)	QuickConnect

ENERGY AND CERTIFICATIONS	
Energy Class EPREL	E
CE mark	Yes



**PRODUCT DATA SHEET**

Celestial EMG Sensor 2800lm 25W 827/830 WH 120° Ø350mm

Art.no: 101575-E-S-120-3



*Lighting Solutions*

**LIGHT DISTRIBUTION**

