
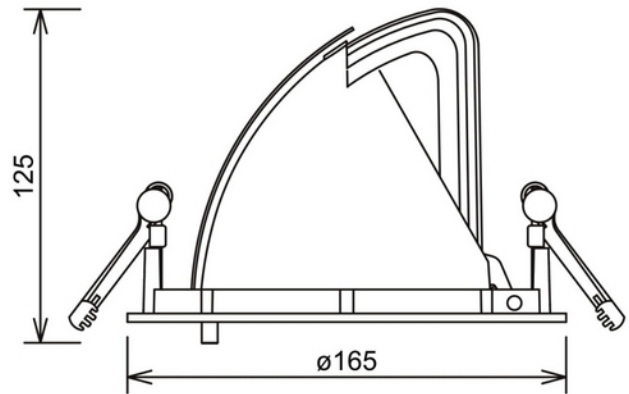


**FDV DOCUMENTATION**

Zeta Mini 4050lm 827 15° 27W BK 18i3

Art.no: 1017-7-15-2

*Lighting Solutions* 155mm

Zeta Mini 4050lm 827 15° 27W BK 18i3



SPECIFICATIONS	
CC (forward voltage driver) (V)	44.0
Inrush current time (μ s)	150.0
Inrush current I _{max} (A)	25.0
Length (product) (mm)	165.0
Width (product) (mm)	165.0
Height (product) (mm)	125.0
Weight (product) (kg)	0.95



FDV DOCUMENTATION

Zeta Mini 4050lm 827 15° 27W BK 18i3

Art.no: 1017-7-15-2



Lighting Solutions

LIGHT DISTRIBUTION

