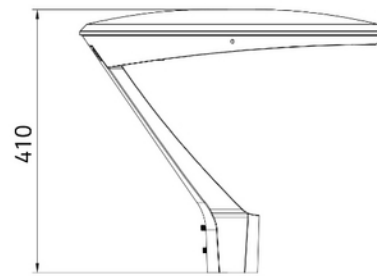
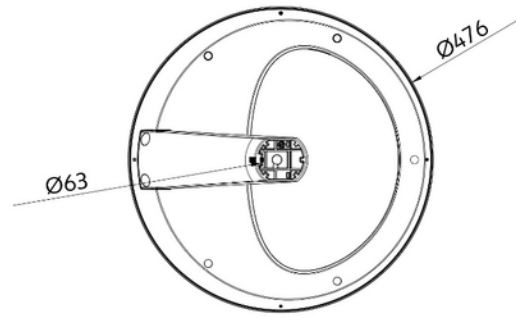


**PRODUCT DATA SHEET**

Theros Lite 3800lm 830 31W GR Ø63mm IP66 5m cable

Art.no: 101740-01-1

*Lighting Solutions*

Theros Lite 3800lm 830 31W GR Ø63mm IP66 5m cable



Modern and highly efficient post top luminaire for park and pathway. Theros Lite are IP66 and IK08 and available in 3000K or 4000K. Delivered with 5m cable, for Ø60mm mast.

ELECTRICAL DATA	
Protection Class (system)	1
Dimming (system)	None
Voltage (system) [V]	230V 50Hz

TECHNICAL DATA	
IK (system)	IK08
IP (system)	IP66
Outdoor	Yes
Operating temperature (°C)	-30 - 50
Wind force (EPA) (m ²) at 0°	0.15

**PRODUCT DATA SHEET**

Theros Lite 3800lm 830 31W GR Ø63mm IP66 5m cable

Art.no: 101740-01-1

*Lighting Solutions*

PHOTOMETRIC DATA	
CRI / Ra (>=)	80
CCT (Color Temperature) (K)	3000
Color Code	830
Socket / Cap-Base	N/A
Lifetime (h)	L80B50: 100 000
Manufacturer (light source)	Lightning

DRIVER	
Manufacturer (driver)	Sosen
Surge Protection	L-N = 4KV, L/N-PE = 6KV

DIMENSIONS	
Height (product) (mm)	410.0
Weight (product) (kg)	7.1
Diameter (product) (mm)	476.0

MATERIALS AND SURFACES	
Color	Grey
RAL Code	RAL7022

INSTALLATION AND CONNECTION	
Areas of use	Outdoor, Park
Mounting	Mast
Connection (system)	Cable 5m

ENERGY AND CERTIFICATIONS	
CE mark	Yes
Energy Efficiency Class	A++



PRODUCT DATA SHEET

Theros Lite 3800lm 830 31W GR Ø63mm IP66 5m cable

Art.no: 101740-01-1



Lighting Solutions

LIGHT DISTRIBUTION

