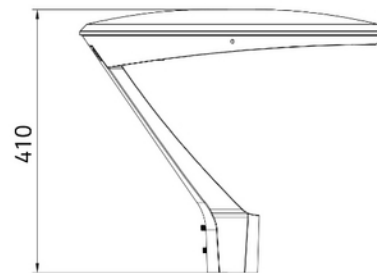
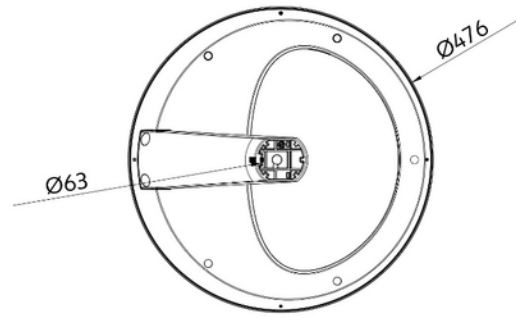


**FDV DOCUMENTATION**

Theros Lite 4000lm 840 31W GR Ø63mm IP66 5m cable

Art.no: 101745-01-1

*Lighting Solutions*

Theros Lite 4000lm 840 31W GR Ø63mm IP66 5m cable



SPECIFICATIONS	
Operating temperature (°C)	50
Wind force (EPA) (m ²) at 0°	0.15
CC (driver) [mA]	950
CC (forward voltage driver) (V)	54.0
Inrush current time (µs)	200.0
Inrush current I _{max} (A)	40.0
Height (product) (mm)	410.0
Weight (product) (kg)	7.1
Diameter (product) (mm)	476.0



FDV DOCUMENTATION

Theros Lite 4000lm 840 31W GR Ø63mm IP66 5m cable

Art.no: 101745-01-1



Lighting Solutions

LIGHT DISTRIBUTION

