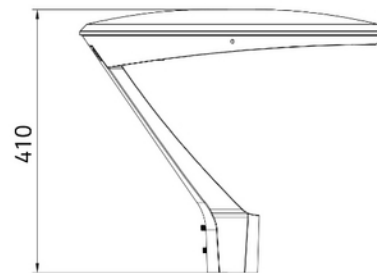
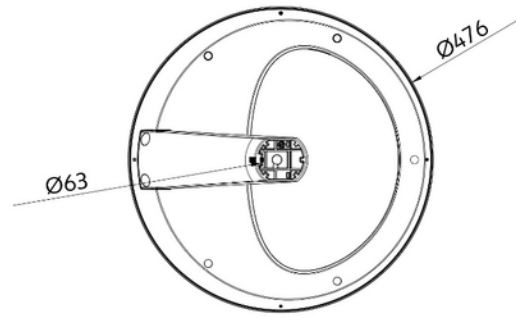


**PRODUCT DATA SHEET**

Theros Lite 4000lm 840 31W GR Ø63mm IP66 5m cable

Art.no: 101745-01-1

*Lighting Solutions*

Theros Lite 4000lm 840 31W GR Ø63mm IP66 5m cable



Modern and highly efficient post top luminaire for park and pathway. Theros Lite are IP66 and IK08 and available in 3000K or 4000K. Delivered with 5m cable, for Ø60mm mast.

ELECTRICAL DATA	
Protection Class (system)	1
Dimming (system)	None
Voltage (system) [V]	230V 50Hz

TECHNICAL DATA	
IK (system)	IK08
IP (system)	IP66
Outdoor	Yes
Operating temperature (°C)	-30 - 50
Wind force (EPA) (m ²) at 0°	0.15

**PRODUCT DATA SHEET**

Theros Lite 4000lm 840 31W GR Ø63mm IP66 5m cable

Art.no: 101745-01-1

*Lighting Solutions*

PHOTOMETRIC DATA	
CRI / Ra (>=)	80
CCT (Color Temperature) (K)	4000
Color Code	840
Socket / Cap-Base	N/A
Lifetime (h)	L80B50: 100 000
Manufacturer (light source)	Lightning

DRIVER	
Manufacturer (driver)	Sosen
Protection Class (driver)	1
Standby power P _{sb} (W) <	0.5
Flicker metric (P _{st} LM) <	0.028
Stroboscopic effect metric (SVM) <	0.007
Max Output Voltage (V)	56
Dimming (driver)	None
IP (driver)	IP67
Expected Lifetime (driver) (h)	100000
Constant current or voltage (CC or CV)	CC
CC (driver) [mA]	450 - 950
Current setting (driver)	None
CC (forward voltage driver) (V)	32.0 - 54.0
Surge Protection	L-N = 4KV, L/N-PE = 6KV
Output Current Tolerance (%)	5.0
Max load pr circuit - B10	10
Max load pr circuit - B16	16
Max load pr circuit - C10	17
Max load pr circuit - C16	28
Max load pr circuit - C20	35
Max load pr circuit - C25	43
Leakage current (mA)	0.75
Inrush current time (µs)	200.0
Inrush current I _{max} (A)	40.0

DIMENSIONS	
Heigth (product) (mm)	410.0



PRODUCT DATA SHEET

Theros Lite 4000lm 840 31W GR Ø63mm IP66 5m cable

Art.no: 101745-01-1



Lighting Solutions

DIMENSIONS	
Weight (product) (kg)	7.1
Diameter (product) (mm)	476.0

MATERIALS AND SURFACES	
Color	Grey
RAL Code	RAL7022

INSTALLATION AND CONNECTION	
Areas of use	Outdoor, Park
Mounting	Mast
Connection (system)	Cable 5m

ENERGY AND CERTIFICATIONS	
CE mark	Yes
Energy Efficiency Class	A++

LIGHT DISTRIBUTION

