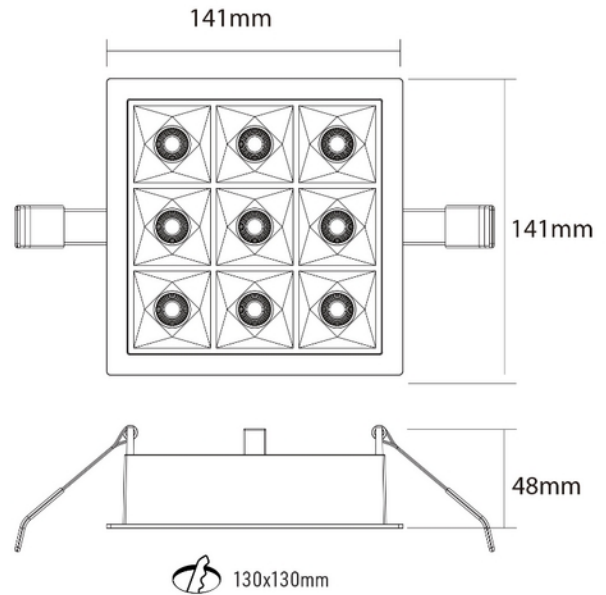


**FDV DOCUMENTATION**

Phoenix D3 1800lm 830 35° 18W BK w/o driver cut out 130x130

Art.no: 101851-01-2

*Lighting Solutions*

Phoenix D3 1800lm 830 35° 18W BK w/o driver cut out 130x130



SPECIFICATIONS	
Power (system) (W)	8/18
Operating temperature (°C)	45
Forward Voltage LED (max tp=25) (V)	3.0
Forward Voltage LED (min tp=65) (V)	20.0
Length (product) (mm)	141.0
Width (product) (mm)	141.0
Height (product) (mm)	48.0
Weight (product) (kg)	0.8



FDV DOCUMENTATION

Phoenix D3 1800lm 830 35° 18W BK w/o driver cut out 130x130

Art.no: 101851-01-2



Lighting Solutions

LIGHT DISTRIBUTION

