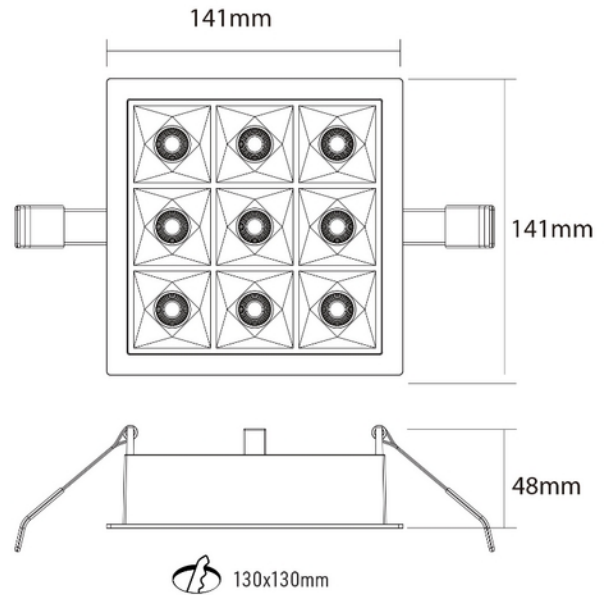


**PRODUCT DATA SHEET**

Phoenix D3 1800lm 830 35° 18W BK w/o driver cut out 130x130

Art.no: 101851-01-2

*Lighting Solutions*

Phoenix D3 1800lm 830 35° 18W BK w/o driver cut out 130x130



Phoenix Downlight has the latest LED technology, with micro reflector and anti-glare cover it reaches UGR<17. With 35° beam angle and perfect light cutoff it's the ideal downlight for office, hotel, staircase, and corridors. Delivered with out driver, see accessories to find suitable driver.

ELECTRICAL DATA	
Protection Class (system)	1
Dimming (system)	Depending on Driver
Voltage (system) [V]	230V 50Hz
Power (system) (W)	8/18

TECHNICAL DATA	
IK (system)	IK04
IP (system)	IP20
Product Family	Phoenix Downlight

**PRODUCT DATA SHEET**

Phoenix D3 1800lm 830 35° 18W BK w/o driver cut out 130x130

Art.no: 101851-01-2

*Lighting Solutions*

TECHNICAL DATA	
Outdoor	No
Operating temperature (°C)	-25 - 45

PHOTOMETRIC DATA	
Efficacy (system) (lm/W)	100
CRI / Ra (>=)	80
CCT (Color Temperature) (K)	3000
Color Code	830
Lightsource Type	LED (built in)
Socket / Cap-Base	N/A
Lens (Diffuser)	Lens
Lifetime (h)	L80: 100 000
MacAdam (SDCM)	3
UGR (<=)	19
Manufacturer (light source)	Seoul
Forward Current LED (min-max) (mA)	700 - 2000
Forward Voltage LED (max tp=25) (V)	3.0
Driftspenning LED (min tp=65) (V)	20.0

DRIVER	
Flicker-free	Yes

DIMENSIONS	
Length (product) (mm)	141.0
Width (product) (mm)	141.0
Height (product) (mm)	48.0
Weight (product) (kg)	0.8

MATERIALS AND SURFACES	
Color	Black
RAL Code	RAL7021
Housing Material	Aluminium

**PRODUCT DATA SHEET**

Phoenix D3 1800lm 830 35° 18W BK w/o driver cut out 130x130

Art.no: 101851-01-2

*Lighting Solutions*

INSTALLATION AND CONNECTION	
Areas of use	Generally, Hotel, Office, Restaurant, Shop, Showroom
Mounting	Recessed, Ceiling
Connection (system)	Depending on driver

ENERGY AND CERTIFICATIONS	
Energy Class EPREL	E
CE mark	Yes
Energy Efficiency Class	A++ - A

LIGHT DISTRIBUTION