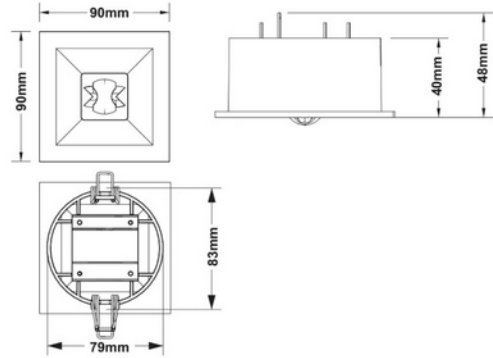


**FDV DOCUMENTATION**

Corridor R Escape Route EMG 140lm 1W 1h ST Recessed

Art.no: 1019528

*Lighting Solutions*

Corridor R Escape Route EMG 140lm 1W 1h ST Recessed



SPECIFICATIONS	
Operating temperature (°C)	40
Length (product) (mm)	95.0
Width (product) (mm)	95.0
Height (product) (mm)	48.0
Weight (product) (kg)	0.66
Emergency lumen out (lm)	140